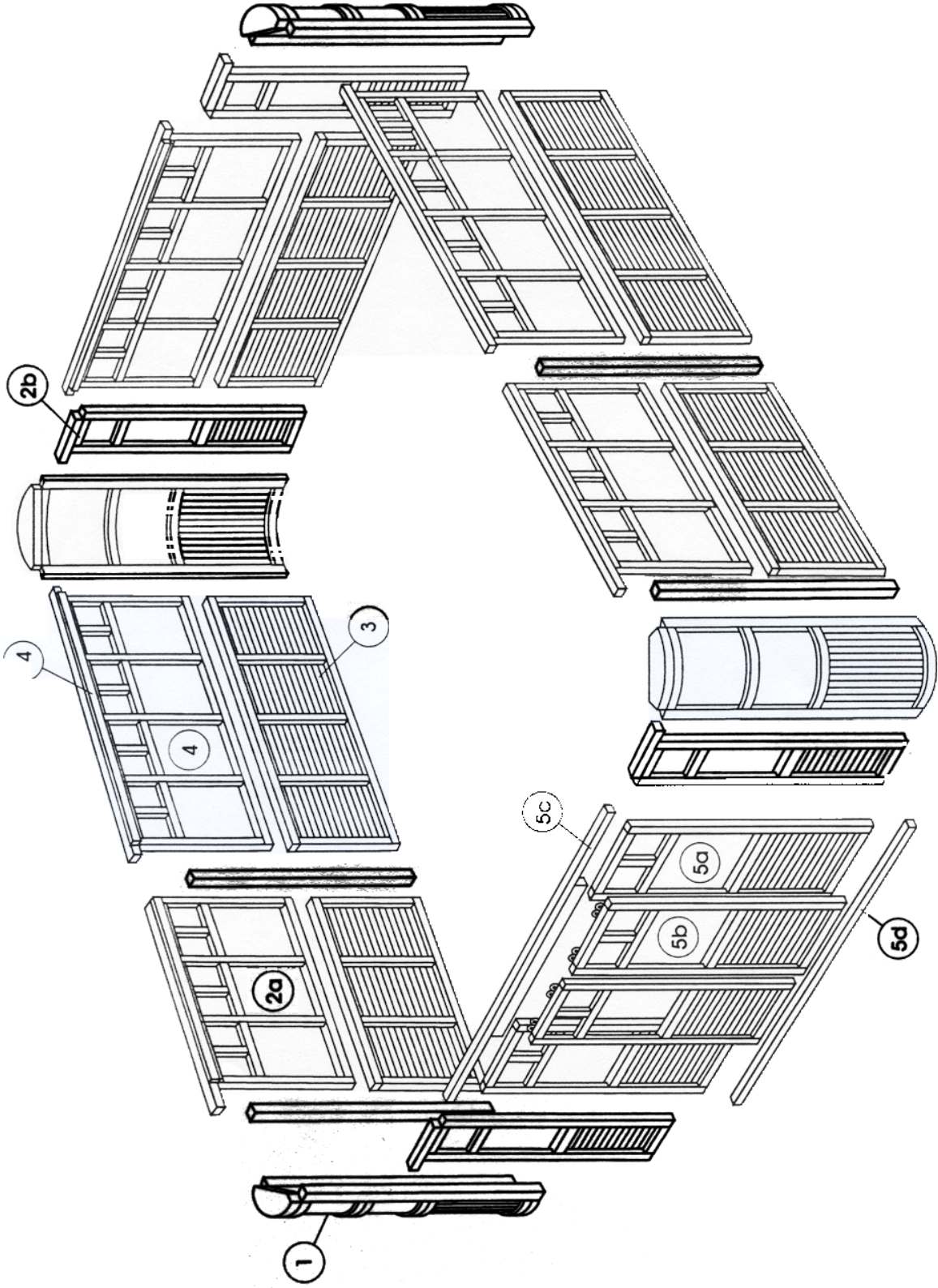


# SUPREME 1216 GAZEBO

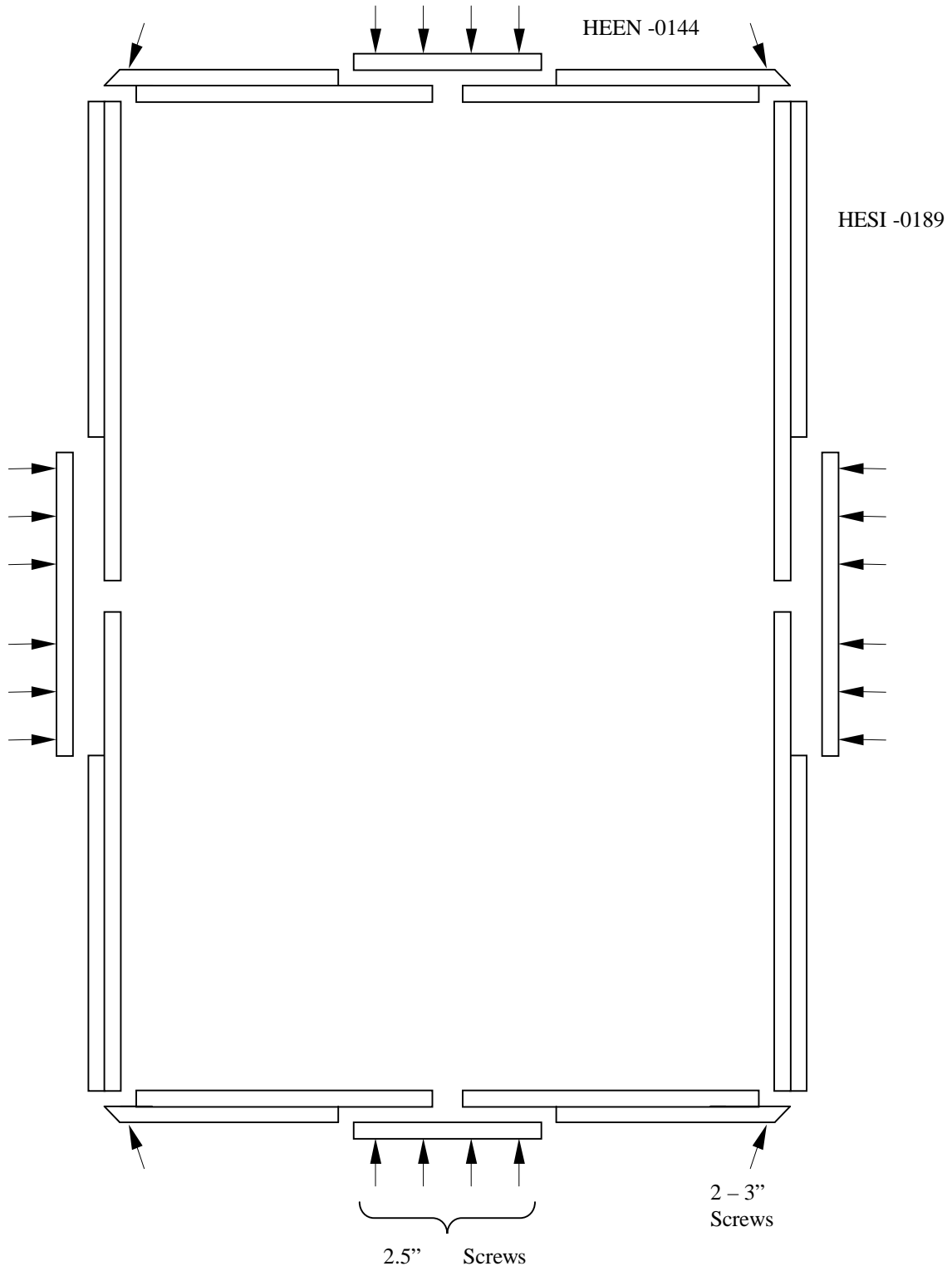


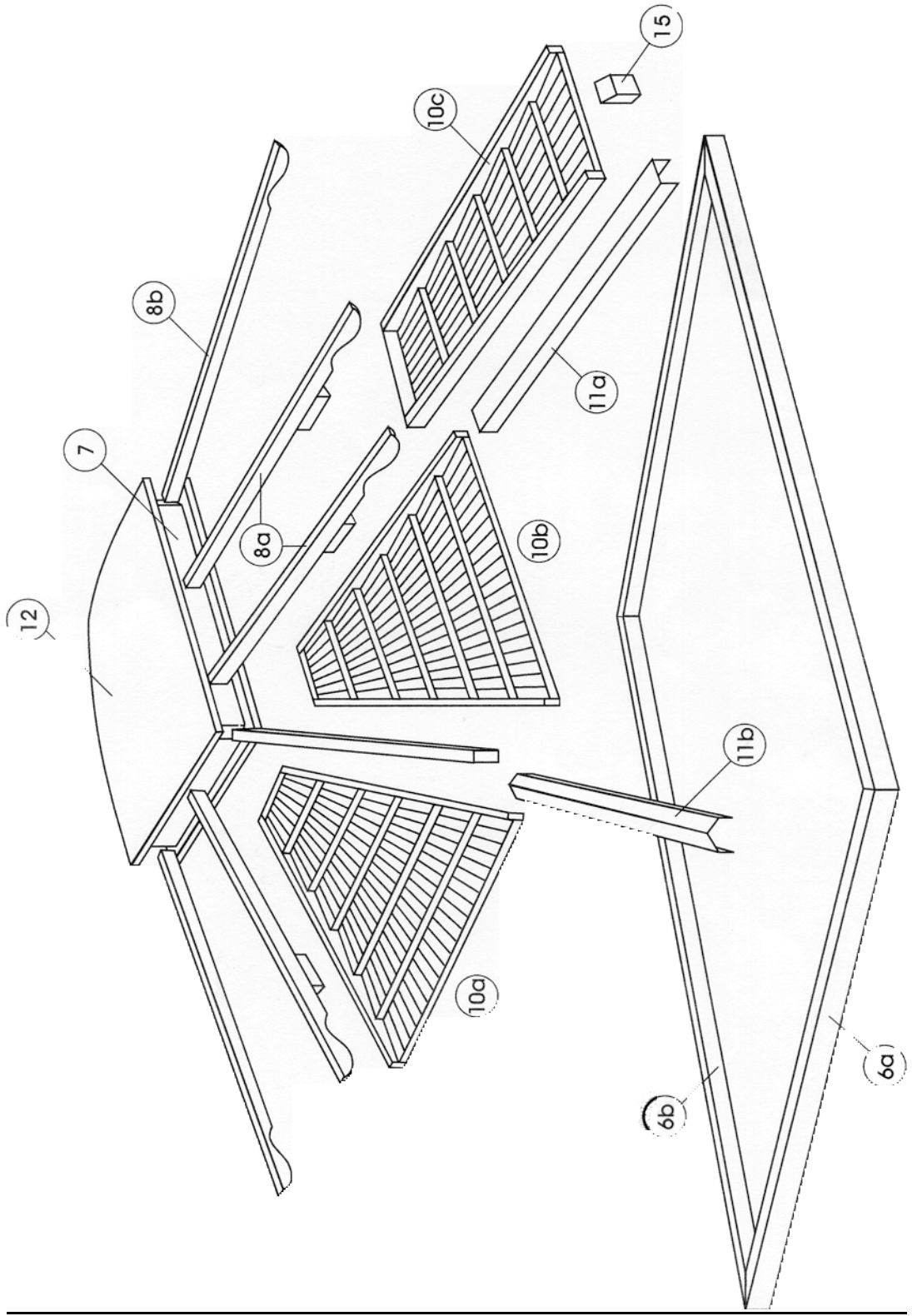
## With SNOW PACKAGE

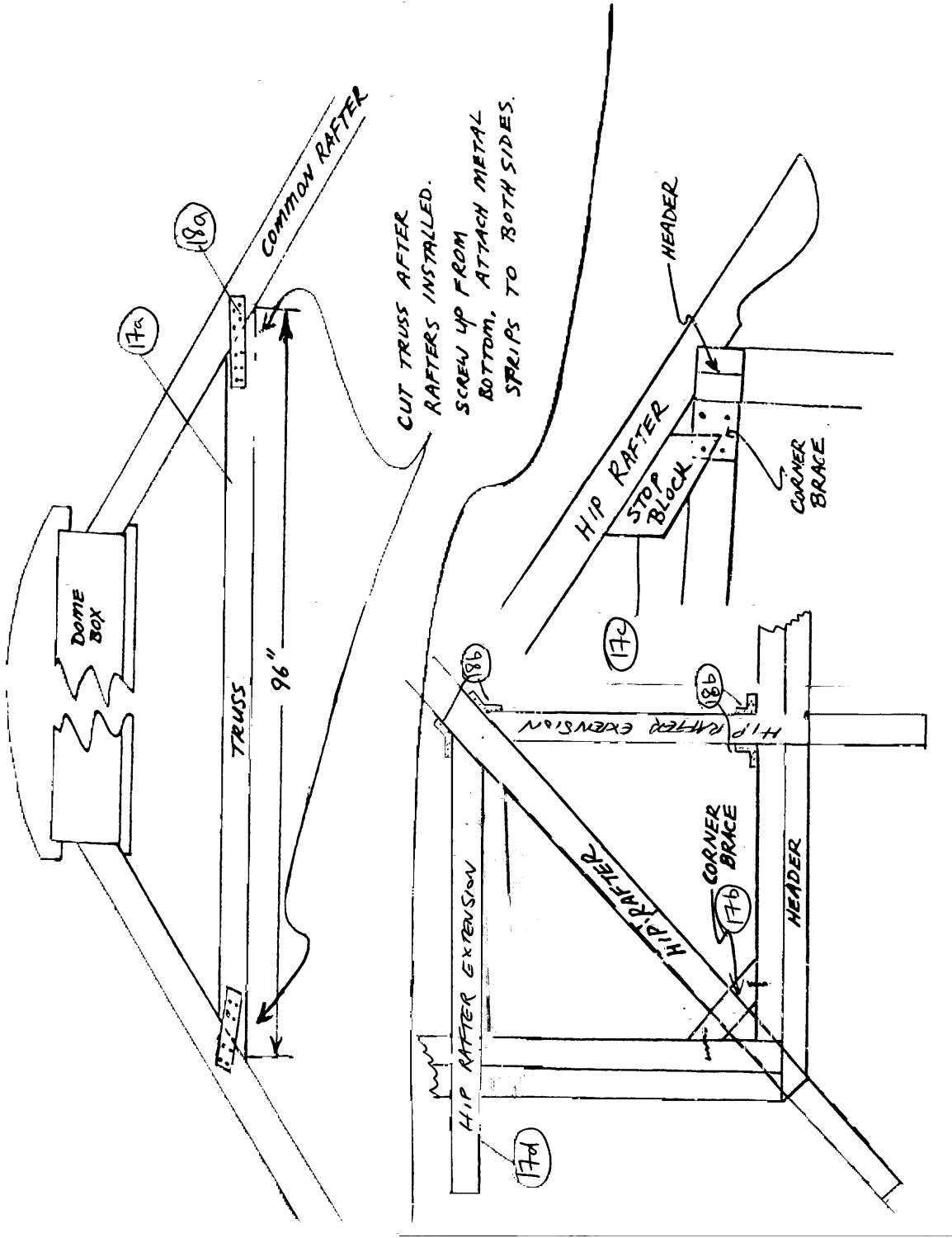
Item #	Part #	Description	Quantity
1	CORN-1525	Corner 15.25" Radius	4
2a	EXTW-6900	Extension Wall 69"	2
2b	EXTW-1050	Extension Wall 10.5"	4
3	SKIR-9300	Skirt Panel 93" wide	3
4	WIND-9300	Window Wall 93" wide	3
5a	FWFD-8150	Front Wall Fixed Door 81.5" high	2
5b	FWSD-7950	Front Wall Sliding Door 79.5" high	2
5c	FWTS-9600	Front Wall Top Support 96" length	1
5d	FWBS-9300	Front Wall Bottom Support 93" length	1
6a	HEEN-0144	End Header 144" length	2
6b	HESI-0189	Side Header 189" length	2
7	DOBO-2573	Dome Box 25" x 73" square	1
8a	RACO-7900	Common Rafter 79" length	6
8b	RAHI-0105	Hip Rafter 105" length	4
9			n/a
10a	PRCO-9900	Right Corner Roof Panel 99" diagonal length	4
10b	PLCO-9900	Left Corner Roof Panel 99" diagonal length	4
10c	PCSQ-4873	Centre Square Roof Panel 48" x 73"	2
11a	CASD-7100 (if cedar)	Side Caps 71" length	6
11b	CACR-9750 (if cedar)	Corner Caps 97.5" length	4
11a	MCSD-7375 (if metal)	Side Caps 73.75" length	4
11b	MCCR-9975 (if metal)	Corner Caps 99.75" length	4
12	DOGL-2876	Framed Dome Glass	1
13			n/a
14a	TRCV-9300	Track Cover 93" length	4
14b	TRCV-6600	Track Cover 66" length	2
15	SURO-0250	Roof Support	8
16a	FLOR-2346	Floor Panels 23" x 46"	8
16b	FLOR-2344	Floor Panels 23" x 44.5"	8
17a-i	TRUS-0000	96" Truss	2
17a-ii	TRMT-0000	Metal Strips for Truss	8
17b-i	COBR-0000	Corner Brace	4
17b-ii	STOP-0000	Stop Block	4
17c-i	RACO-5200	Extra Common Rafters	8
17c-ii	BRMT-0000	Metal Brackets for Rafter Support	64
18	Hardware Box		1



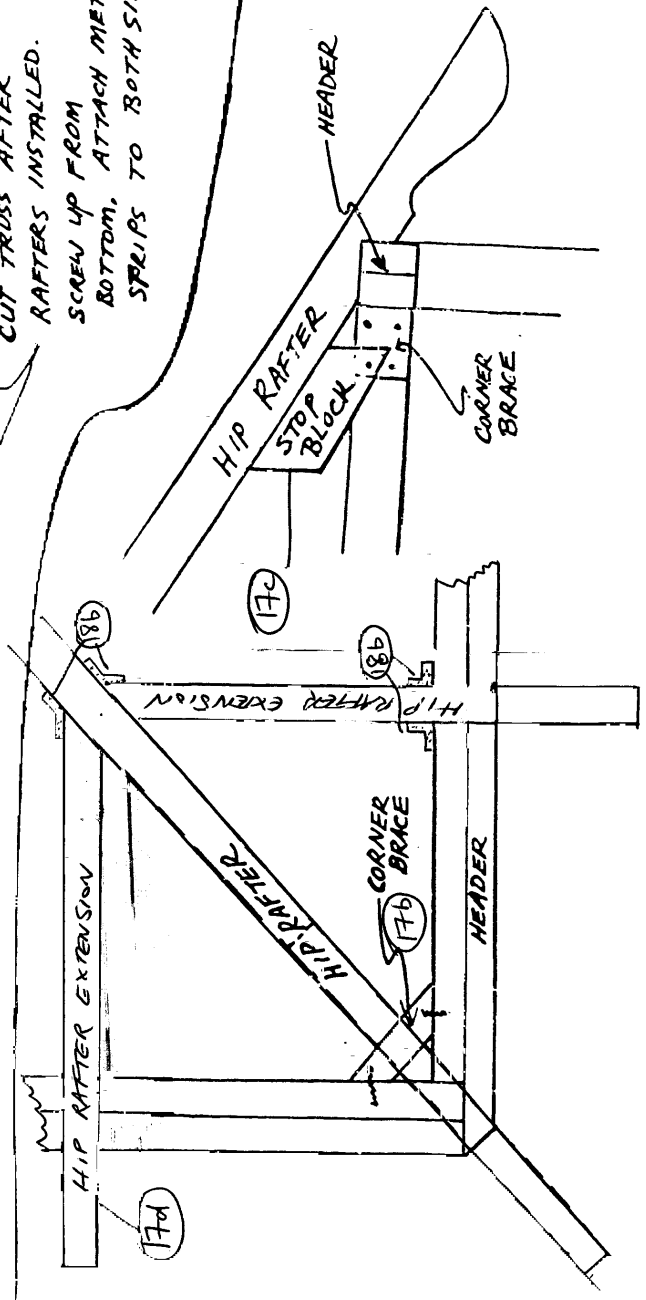
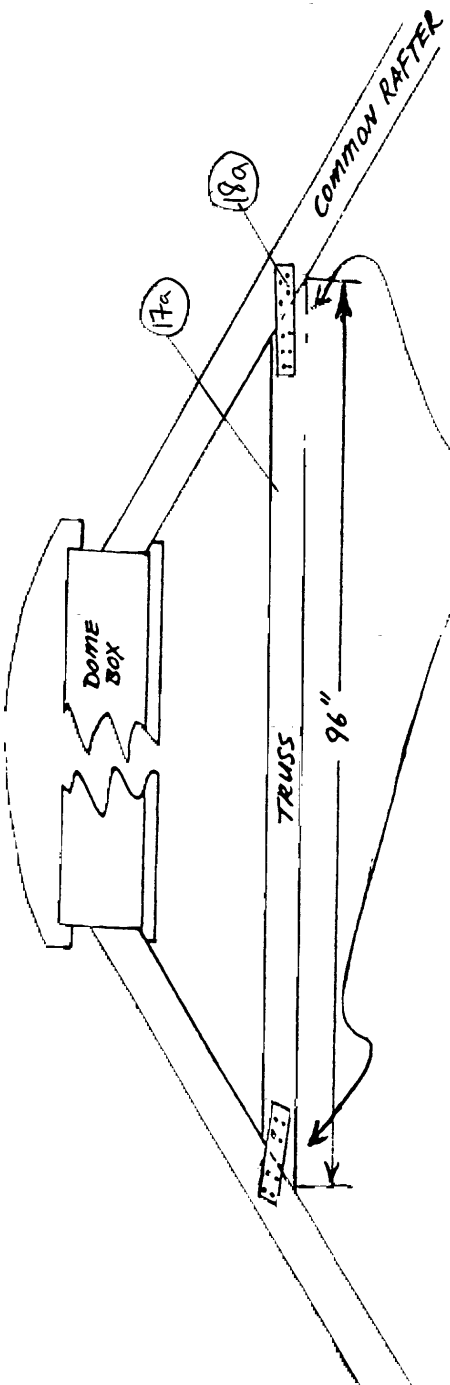
# 1216 Snow Header System

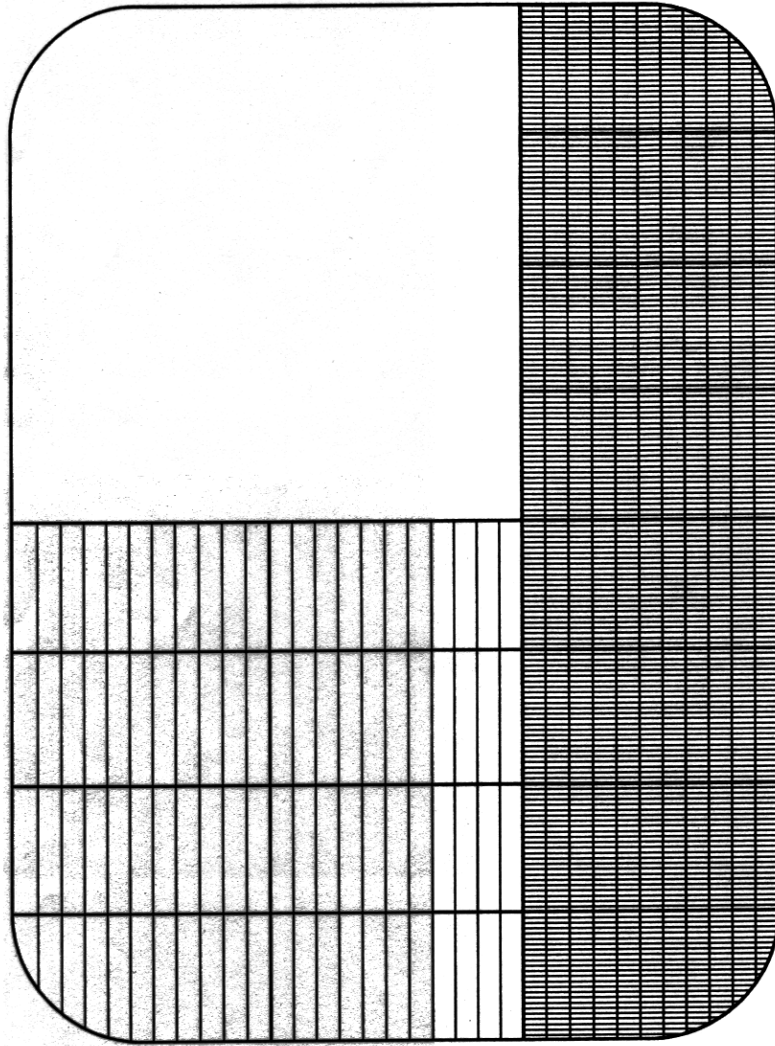






CUT TRUSS AFTER  
 RAFTERS INSTALLED.  
 SCREW UP FROM  
 BOTTOM, ATTACH METAL  
 STRIPS TO BOTH SIDES.





16b

16a



## **SUPREME #1216 MODEL with Snow Package**

### **INSTALLATION INSTRUCTIONS**

#### **PART A – GAZEBO SHELL**

##### **1. Assembling 69” Extension Walls**

- Before we start setting up the gazebo we need to assemble the 69” Extension Walls (Part #2a).
- Each 69” Extension Wall consists of four components: one 69” window wall, one 69” skirt and two side plates. Assemble the 69” Extension Wall by joining the four components. The skirt should be fastened to the window wall with four 2.5” screws. The two side plates should be fastened to the sides of the window wall and skirt with five 2.5” screws.
- Repeat the above so that you have two assembled 69” Extension Walls.

##### **2. Left Wall Side**

- We start the gazebo set up from the front left corner and connect pieces consecutively in a clockwise direction.
- Position and align a Corner (Part #1) adjacent to a 69” Extension Wall. The Extension Wall should be to the left of the Corner because we are setting up the gazebo in a clockwise direction. Secure the Extension Wall by fastening five 2.5” screws from the Extension Wall to the Corner
- Position and align a Skirt Panel (Part #3) adjacent to the base of the Extension Wall. Secure the Skirt Panel by fastening two 2.5” screws from the Skirt Panel to the Extension Wall.
- Position and align a Window Wall (Part #4) adjacent to the Extension Wall and above the Skirt Panel. Secure the Window Wall by fastening three 2.5” screws from the Window Wall to the Extension Wall and by fastening four 2.5” screws from the Skirt to the Window Wall.
- Position and align a Corner adjacent to the Window Wall and Skirt Panel. Secure the Corner by fastening five 2.5” screws from the Corner to the Window Wall and Skirt Panel.

##### **3. Back Wall Side**

- Position and align a 10.5” Extension Wall (Part #2b) at a 90 degree angle from the Left Wall Side and adjacent to the Corner. Secure the Extension Wall by fastening five 2.5” screws from the Extension Wall to the Corner.
- Position and align a Skirt Panel adjacent to the base of the Extension Wall. Secure the Skirt Panel by fastening two 2.5” screws from the Skirt Panel to the Extension Wall.
- Position and align a Window Wall adjacent to the Corner and above the Skirt Panel. Secure the Window Wall by fastening three 2.5” screws from the Window Wall to the Corner and by fastening four 2.5” screws from the Skirt to the Window Wall.
- Position and align a 10.5” Extension Wall adjacent to the Window Wall and Skirt Panel. Secure the Extension Wall by fastening five 2.5” screws from the Extension Wall to the Window Wall and Skirt Panel.
- Position and align a Corner adjacent to the Extension Wall. Secure the Corner by fastening five 2.5” screws from the Corner to the Extension Wall.

##### **4. Right Wall Side**

- Position and align a Skirt Panel at a 90 degree angle from the Left Wall Side and adjacent to the base of the Corner. Secure the Skirt Panel by fastening two 2.5” screws from the Skirt Panel to the Corner.
- Position and align a Window Wall adjacent to the Corner and above the Skirt Panel. Secure the Window Wall by fastening three 2.5” screws from the Window Wall to the Corner and by fastening four 2.5” screws from the Skirt to the Window Wall.

- Position and align a 69” Extension Wall adjacent to the Window Wall and Skirt Panel. Secure the Extension Wall by fastening five 2.5” screws from the Extension Wall to the Window Wall and Skirt Panel.
- Position and align a Corner adjacent to the Extension Wall. Secure the Corner by fastening five 2.5” screws from the Corner to the Extension Wall.

#### 5. Assembling the Front Wall Frame

- The Front Wall Frame consists of four pieces: two Fixed Doors (Part #5a), the Top Support (Part #5c), and the Bottom Support (Part #5d).
- Lay the Fixed Walls with exterior side down flat on a level surface and space them apart.
- Position and align the Bottom Support at the base of the Fixed Walls. The ends of the Bottom Support should be flush with the side edges of the Fixed Walls and the exterior edge of the Bottom Support should be flush with the exterior edge of the Fixed Walls.
- Secure the Bottom Support to the Fixed Walls by fastening three 2.5” screws from the Bottom Support to each Fixed Wall.
- Position and align the Top Support at the top of the Fixed Walls. The Top Support’s bracket should fit between the Fixed Walls and Top Support’s J track should face the interior side.
- Secure the Top Support to the Fixed Walls by fastening three 2.5” screws from the Top Support to each Fixed Wall.

#### 6. Front Wall Side

- Position and align a 10.5” Extension Wall (Part #2b) at a 90 degree angle from the Right Wall Side and adjacent to the Corner. Secure the Extension Wall by fastening five 2.5” screws from the Extension Wall to the Corner.
- Position and align the Front Wall Frame adjacent to the base of the Extension Wall. Secure the Front Wall Frame to the Extension Wall by fastening five 2.5” screws from the Front Wall Frame to the Extension Wall.
- Position and align a 10.5” Extension Wall between the Front Wall Frame and the Corner where you started the gazebo set up. Secure the Extension Wall by fastening five 2.5” screws from the Extension Wall to both the Front Wall Frame and to the Corner.
- Install the Sliding Doors (Part #5b) onto the Front Wall Frame by hanging the Sliding Doors on the Top Support’s J track and fitting the pegs of the Sliding Doors into the dado of the Bottom Support.
- If required, adjust the rollers on the Sliding Doors to ensure the Sliding Doors are evenly hung.

#### 7. “Squaring” the Gazebo Shell

- The Gazebo Shell is now assembled. At this point you need to “square” the Gazebo Shell. In order to “square” the Gazebo Shell, the diagonal distances between the interior opposite corners must be identical. If the distances are not identical you may need to shift one of the sides slightly to ensure that the Gazebo Shell is “square”.

### PART B: ASSEMBLING AND INSTALLING THE HEADERS

#### 8. Assembling the Headers

- Each of the End and Side Headers (Part #6a, #6b) comes in three pieces (two longer pieces and a shorter joining piece). Assemble each of these Headers by fastening 2.5” screws in the marked areas.

#### 9. Installing the Headers and Squaring the Gazebo

- Lay the four assembled Headers on the ground next to the gazebo. The Headers should be aligned so that they form a rectangle. Join the Headers together by fastening two 3” screws from one Header to the next.
- Once all the Headers are connected to one another they form the Header Assembly. This Header Assembly should be placed on top of the Gazebo Shell.
- Important Note: The Gazebo Shell may have to be shifted slightly so that the Header Assembly fits proportionately on top of the Gazebo Shell.
- Fasten the Header Assembly to the Gazebo Shell by fastening sixteen 4” screws from the Header Assembly to the Gazebo Shell.

## PART C: ROOF FRAME, ROOF PANELS AND CAPPING THE GAZEBO

### 10. Assembling and Installing the Roof Frame

- Lay the Dome Box (Part #7) upside down so that the lip of the box is on top.
- Position and align two Common Rafters (Part #8a) on each long side of the Dome Box in the marked areas. Note that the end of each Common Rafter should be flush with the side of the Dome Box and the bottom of each Common Rafter should be touching the lip of the Dome Box. Secure each Common Rafter by fastening one 3.5” and one 4” screw from the inside of the Dome Box through to the Common Rafter situated on the outside of the Dome Box.
- Flip the Dome Box with attached Common Rafters right side up and place it on top of the Gazebo.
- Position and align each Hip Rafter (Part #8b) to each corner of the Dome Box. Note that the distance between the top of the Hip Rafter to the top of the Dome Box should be the same as the distance between the top of the Common Rafter to the top of the Dome Box. Secure each Hip Rafter by fastening one 3.5” and one 4” screw from the inside of the Dome Box through to the Hip Rafter situated on the outside of the Dome Box.
- Now that all Rafters are attached to form the Roof Frame, you may need to shift the ends of the Rafters so that they fit proportionately onto the Gazebo. In other words, the Hip Rafters should fit dead center on the Corners and the Common Rafters should fit at the marked areas.
- Once you are satisfied that all Rafters are correctly positioned, secure all Rafters to the Gazebo by fastening one 4” and one 5” screw from each Rafter to the Gazebo

### 11. Installing the Roof Panels to the Roof Frame

- Position and align a Right Corner Roof Panel (Part #10a) and a Left Corner Roof Panel (Part#10b) so that one edge is centered on the Common Rafter, and one edge is centered on the Hip Rafter. You may need to shift the Panels a little to assure the correct alignment. If you are installing a metal roof we suggest using C clamps to hold the roof panels together while you do this shifting for alignment. Once you are satisfied that the panels are correctly aligned secure the panels by fastening five either 2.5” tek screws (for Deluxe Mahogany Roof), or 3.5” screws (for Metal Deluxe Roof) from each roof panel to each rafter below. If you are installing a metal roof you may secure the panels together before fastening down onto the rafters. You should repeat this step until all Corner Roof Panels are installed.
- Place each of the Center Roof Panels (Part #10c) into the appropriate openings in the roof, center on the long side of the Gazebo. Secure these roof panels in the same manner as the Corner Roof Panels.

### 12. Capping the Gazebo and Installing the Dome Glass

- If you are installing a metal roof you must install the Caps (Part #11) before installing the Dome Glass (Part #12). If you are installing a wood roof it is better to install the Dome Glass before installing the Caps.
  - Caps:

Position the Corner Caps (Part #11a) over the relevant ridges of the roof and secure them to the Roof Panels with 1.5" tek screws (for Deluxe Mahogany Roof) or 1.5" colored cap screws (for Metal Deluxe Roof). Position the Side Caps (Part #11b) over the relevant gaps between the Roof Panels and secure them to the roof in the same manner as the Corner Caps. Please note that if you are installing a wood roof you need to caulk the gaps before installing the Roof Caps.

- Dome Glass:  
Place the Dome Glass on top of the Dome Box and secure it with twelve 3" screws evenly spaced around the Dome Box.

### 13. Installing Track Covers, Roof Support Blocks, and Floor Panels

- Place the Track Covers (Part #14) over the metal tracks of the sliding windows. Secure the Track Covers by fastening 1.5" tek screws from each Track Cover to the Window Wall.
- Place the Roof Support Blocks (Part #15) between the underside of the Roof Panels and the top of the Gazebo Shell.
- Place the Floor Panels (Part #16) accordingly around the tub. Please note that you may need to use a skill saw to cut a 45 angle cut on Floor Panel which are to be placed in the curved corners of the gazebo.

### 14. Install Reinforcement Package

- Truss System:  
There are two uncut pieces of eight foot 2x3 to be used as Trusses (Part #17a) for the gazebo. Position and align each of these pieces between opposite common rafters. Angle cut the end of each Truss so that it fits onto the common rafter. Secure the truss by fastening one 2.5" screw and one 3" screw from the Truss to each common rafter. Also secure the Truss by attaching two Flat Metal Strips (Part 18a) from each Truss to each common rafter.
- Securing Corner Braces and Stop Blocks:  
Position each Corner Brace (Part #17b) into the corner of the Header Assembly. Secure each Corner Brace with two 2.5" screws. Position each Stop Block (Part #17c) flush with each Hip Rafter and adjacent to each Corner Brace. Secure each Stop Block to each Hip Rafter with two 3.5" screws.
- Securing Extra Common Rafters and the Hip Rafter Extensions:  
Position an extra Common Rafter underneath each of the Centre Square Roof Panels. Each Common Rafter should be near center of each Roof Panel. Secure each Common Rafter by fastening with one 4" and one 3.5" screw from the Dome Box to each Extra Common Rafter and with one 3.5" screw from the Header Assembly to each Extra Common Rafter. Position each Hip Rafter Extension (Part #17d) underneath each Corner Roof Panel. Each Hip Rafter Extension should be near center of each Roof Panel. Secure each Hip Rafter Extension to each Hip Rafter and to the Header Assembly. Reinforce the integrity of each Rafter and Rafter Extension by attaching four Metal Brackets (Part #18b) at the connecting points.

### Installation Notes

- Please note that these instructions are solely to be used as a guide to the installation of the gazebo. In areas where weather conditions may be more severe, additional screws and/or metal brackets should be used to increase the structural integrity of the gazebo. The installer should use his discretion to determine whether the gazebo is structurally sound after installation.

