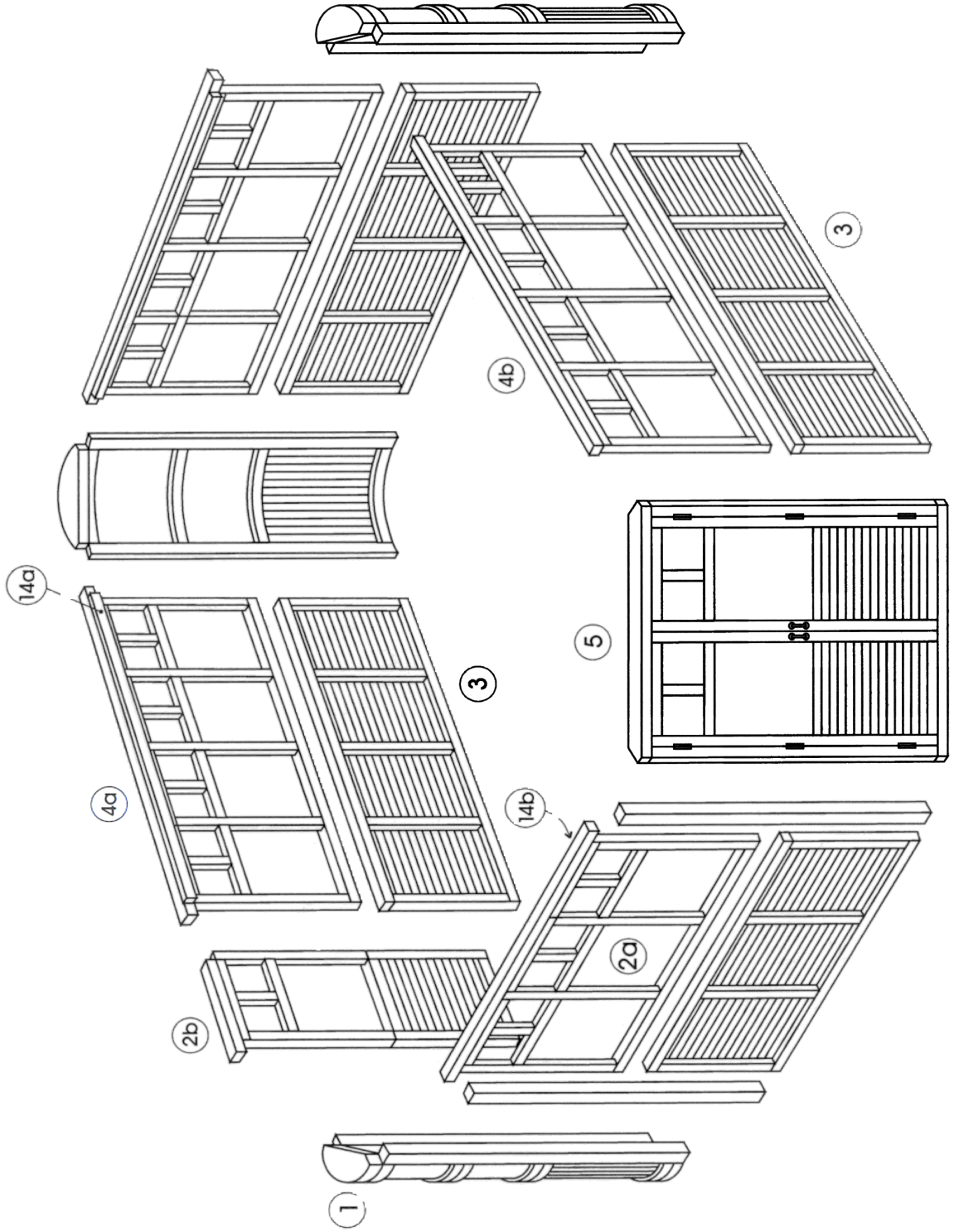


SUPREME 1012 GAZEBO

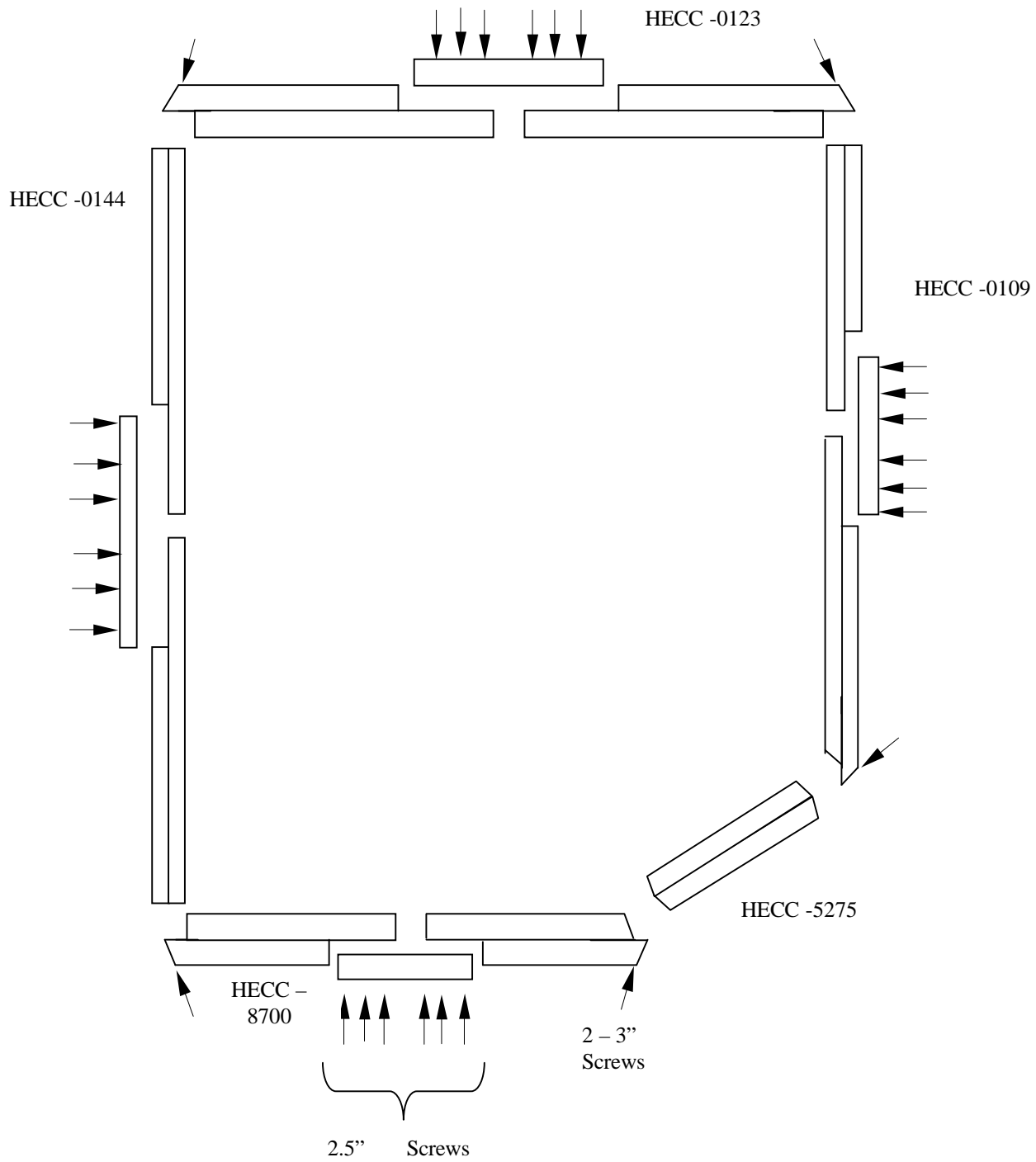


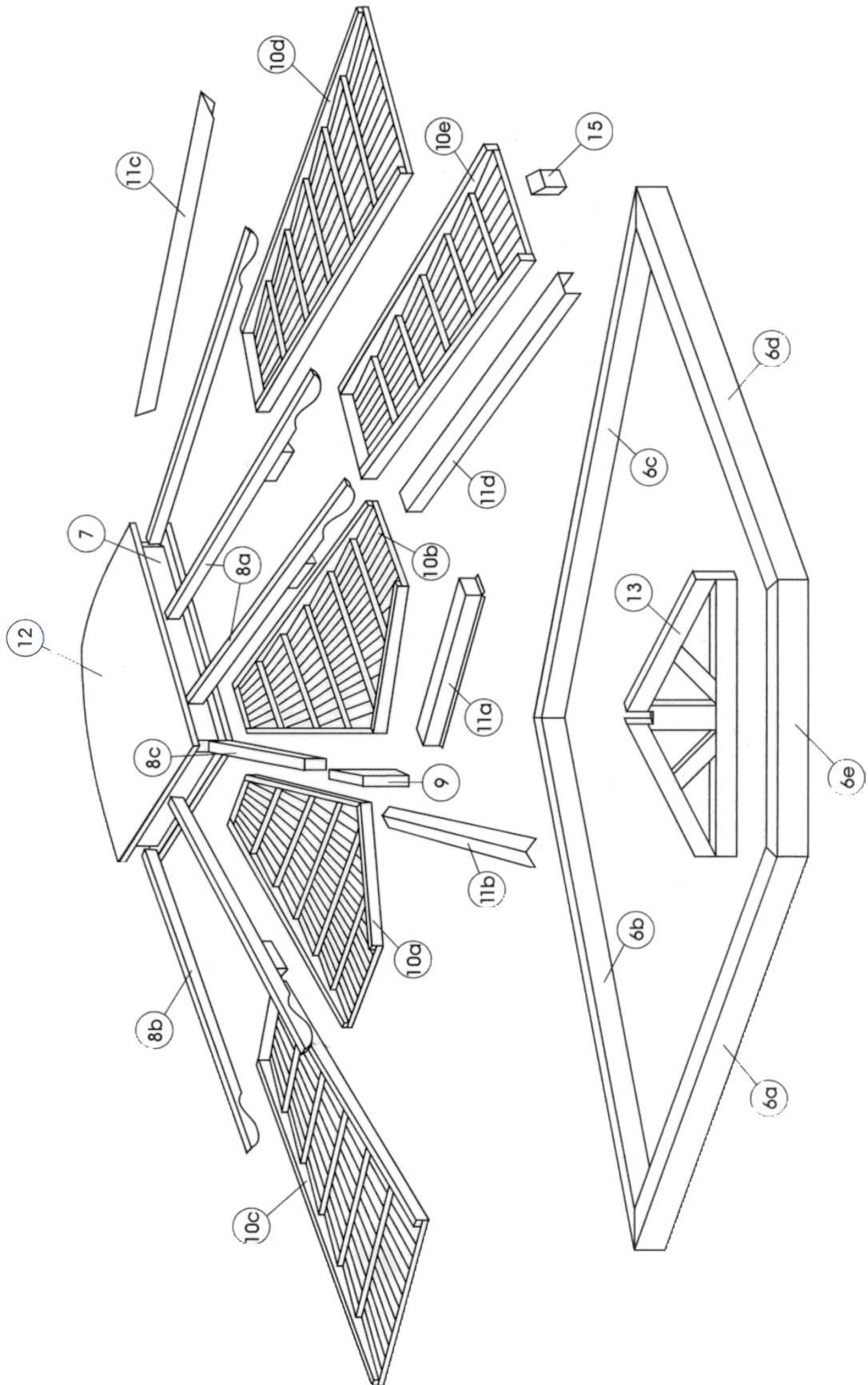
With CUT CORNER

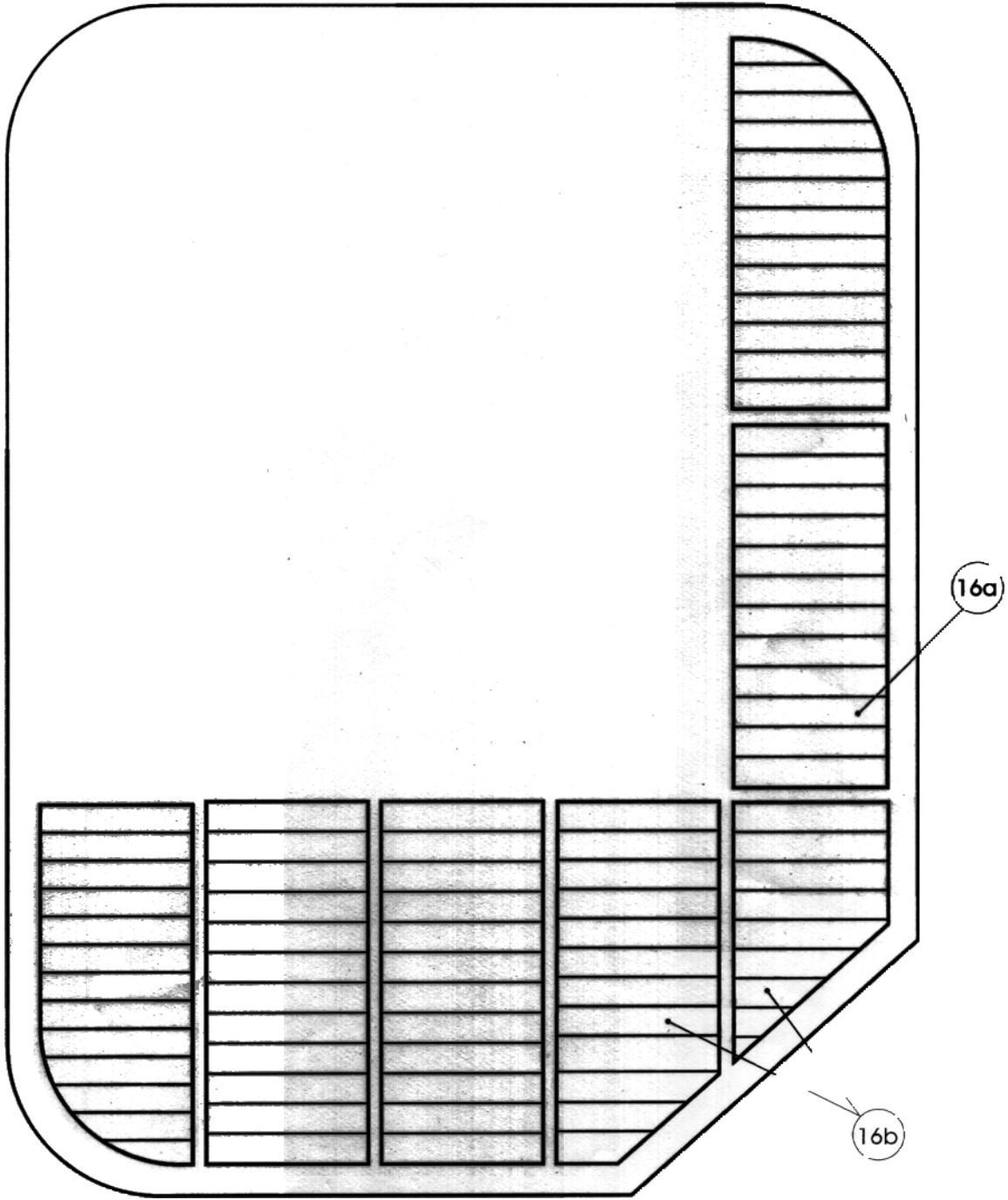
Item #	Part #	Description	Quantity
1	CORN-1525	Corner 15.25" Radius	3
2a	EXTW-7050	Extension Wall 69" wide with 70.5" Top Plate	1
2b	EXTW-2400	Extension Wall 24"	1
3	SKIR-9300	Skirt Panel 93" wide	3
4a	WIND-9300	Window Wall 93" wide	2
4b	WIND-9450	Window Wall 93" wide with 94.5" Top Plate	1
5	CCEN-0000	Cut Corner Entrance	1
6a	HECC-8700	CC Header 87" length	1
6b	HECC-0144	CC Header 144" length	1
6c	HECC-0123	CC Header 123" length	1
6d	HECC-0109	CC Header 109.5" length	1
6e	HECC-5275	CC Header 52.75" length	1
7	DOBO-4973	Dome Box 49" x 73" square	1
8a	RACO-5200	Common Rafter 52" length	6
8b	RAHI-7000	Hip Rafter 70" length	3
8c	RACC-4100	CC Rafter 41" length	1
9	SUCC-0838	CC Rafter Support Block 8-3/8"	1
10a	PLCC-6800	Left Cut Corner Roof Panel (based on 68" panel)	1
10b	PRCC-6800	Right Cut Corner Roof Panel (based on 68" panel)	1
10c	PLCO-6800	Left Corner Roof Panel 68"	3
10d	PRCO-6800	Right Corner Roof Panel 68"	3
10e	PCSQ-2400	Center Square Roof Panel 24"	2
11a	MCTR-0000 (if metal)	CC Roof Trim	2
11b	MCCC-3775 (if metal)	CC Cap 37.75" length	1
11c	MCCR-6450 (if metal)	Corner Caps 64.5" length	3
11d	MCSD-4825 (if metal)	Side Caps 48.25" length	6
11b	CACC-3958	CC Cap 39-5/8" length	1
11c	CACR-6225	Corner Caps 62.25" length	3
11d	CASD-4525	Side Caps 45.25" length	6
12	DOGL-5276	Framed Dome Glass	1
13	VALE-0000	Valence over CC Entrance	1
14a	TRCV-9300	Track Cover 93" length	3
14b	TRCV-6600	Track Cover 66" length	1
15	SURO-0250	Roof Support	8
16a	FLOR-2346	Rectangular Floor Panel 23" x 46"	5



1012 Cut Corner Header System







SUPREME 1012 (CUT CORNER) MODEL

INSTALLATION INSTRUCTIONS

PART A – GAZEBO SHELL

1. Front Wall - Assembling 69" Extension Wall and connecting it to a Corner

- We start the gazebo set up from the front and connect pieces consecutively in a clockwise direction.
- The 69" Extension Wall (Part #2a) consists of four components: one 69" window wall, one 69" skirt and two side plates. Assemble the 69" Extension Wall by joining the four components. The skirt should be fastened to the window wall with four 2.5" screws. The two side plates should be fastened to the sides of the window wall and skirt with five 2.5" screws.
- Raise and position the assembled 69" Extension Wall adjacent to a Corner (Part #1). We are assembling the gazebo in a clockwise direction so the Corner should be connected to the left of the 69" Extension Wall. Fasten five 2.5" screws from the Corner to the 69" Extension Wall.

2. Left Wall Side

- Position and align the 24" Extension Wall (Part #2b) at a 90 degree angle from the Front Wall and adjacent to the Corner. Fasten five 2.5" screws from the 24" Extension Wall to the Corner.
- Position and align a Skirt Panel (Part #3) adjacent to the base of the 24" Extension Wall. Secure the Skirt Panel by fastening two 2.5" screws from the Skirt Panel to the 24" Extension Wall.
- Position and align a 96" Window Wall (Part #4a) adjacent to the 24" Extension Wall and above the Skirt Panel. Secure the Window Wall by fastening three 2.5" screws from the Window Wall to the 24" Extension Wall and by fastening four 2.5" screws from the Skirt to the Window Wall.
- Position and align a Corner adjacent to the Window Wall and Skirt Panel. Secure the Corner by fastening five 2.5" screws from the Corner to the Window Wall and Skirt Panel.

3. Back Wall Side

- Position and align a Skirt Panel at a 90 degree angle from the Left Wall Side and adjacent to the base of the Corner. Secure the Skirt Panel by fastening two 2.5" screws from the Skirt Panel to the Corner.
- Position and align a 96" Window Wall adjacent to the Corner and above the Skirt Panel. Secure the Window Wall by fastening three 2.5" screws from the Window Wall to the Corner and by fastening four 2.5" screws from the Skirt to the Window Wall.
- Position and align a Corner adjacent to the Window Wall and Skirt Panel. Secure the Corner by fastening five 2.5" screws from the Corner to the Window Wall and Skirt Panel.

4. Right Wall Side

- Position and align a Skirt Panel at a 90 degree angle from the Back Wall Side and adjacent to the base of the Corner. Secure the Skirt Panel by fastening two 2.5" screws from the Skirt Panel to the Corner.
- Position and align the 94.5" Window Wall (Part #4b) adjacent to the Corner and above the Skirt Panel. Secure the Window Wall by fastening three 2.5" screws from the Window Wall to the Corner and by fastening four 2.5" screws from the Skirt to the Window Wall.

5. Entrance

- Position and insert the Entrance (Part#5) between the Front Wall and the Right Wall Side. Secure the Entrance by fastening five 2.5” screws from the Right Wall Side to the Entrance and from the Front Wall to the Entrance.

PART B: ASSEMBLING AND INSTALLING THE HEADERS

6. Assembling the Headers

- Each of the End and Side Headers (Part #6a, #6b, #6c, #6d) comes in three pieces (two longer pieces and a shorter joining piece). Assemble each of these Headers by fastening 2.5” screws in the marked areas.

7. Installing the Headers and Squaring the Gazebo

- Lay the four assembled Headers plus the 52.75” CC Header (Part #6e) on the ground next to the gazebo. The Headers should be aligned so that they form a “rectangle with the corner cut off”. Join the Headers together by fastening two 2.5” screws from one Header to the next.
- Once all the Headers are connected to one another they form the Header Assembly. This Header Assembly should be placed on top of the Gazebo Shell.
- Important Note: The Gazebo Shell may have to be shifted slightly so that the Header Assembly fits proportionately on top of the Gazebo Shell.
- Fasten the Header Assembly to the Gazebo Shell by fastening twelve 3.5” screws from the Header Assembly to the Gazebo Shell.

PART C: ROOF FRAME, ROOF PANELS AND CAPPING THE GAZEBO

8. Assembling and Installing the Roof Frame

- Lay the Dome Box (Part #7) upside down so that the lip of the box is on top.
- Position and align two Common Rafters (Part #8a) on each long side of the Dome Box in the marked areas. (Note: the end of each Common Rafter should be flush with the side of the Dome Box and the bottom of each Common Rafter should be touching the lip of the Dome Box). Secure each Common Rafter by fastening two 3” screws from the inside of the Dome Box through to the Common Rafter situated on the outside of the Dome Box.
- Position and align one Common Rafter to the center of each short side of the Dome Box and repeat the previous step.
- Flip the Dome Box with attached Common Rafters right side up and place it on top of the Gazebo.
- Position and align each Hip Rafter (Part #8b) to each corner of the Dome Box. Note that the distance between the top of the Hip Rafter to the top of the Dome Box should be the same as the distance between the top of the Common Rafter to the top of the Dome Box. Secure each Hip Rafter by fastening two 3” screws from the inside of the Dome Box through to the Hip Rafter situated on the outside of the Dome Box.
- Position and align the CC Rafter (Part #8c) to the corner of the Dome Box which is closest to the cut corner. This CC Rafter is installed the same way as the above Hip Rafters and is supported by the CC Rafter Support Block (Part #9).
- Now that all Rafters are attached to form the Roof Frame, you may need to shift the ends of the Rafters so that they fit proportionately onto the Gazebo. In other words, the Hip Rafters should fit dead center on the Corners, the CC Rafter should fit on top of the CC Rafter Support Block which is dead center on the 52.75” CC Header, and the Common Rafters should fit at the marked areas.
- Once you are satisfied that all Rafters are correctly positioned, secure all Rafters to the Gazebo by fastening one 4” screws from each Rafter to the Gazebo. Also secure the CC Rafter and CC Rafter Support Block to the Gazebo with two 2.5” screws.

9. Installing the Roof Panels to the Roof Frame

- Position and align both the Left CC Roof Panel (Part #10a) and the Right CC Roof Panel (Part#10b) so that one edge is centered on the Common Rafter, and one edge is centered on the Hip Rafter. You may need to shift the Panels a little to assure the correct alignment. If you are installing a metal roof we suggest using C clamps to hold the roof panels together while you do this shifting for alignment. Once you are satisfied that the panels are correctly aligned secure the panels by fastening four either 2.5” tek screws (for Deluxe Mahogany Roof), or 3.5” screws (for Metal Deluxe Roof) from each roof panel to each rafter below. If you are installing a metal roof you may secure the panels together before fastening down onto the rafters.
- Position and align a Right Corner Roof Panel (Part #10d) and a Left Corner Roof Panel (Part#10c) so that one edge is centered on the Common Rafter, and one edge is centered on the Hip Rafter. You may need to shift the Panels a little to assure the correct alignment. If you are installing a metal roof we suggest using C clamps to hold the roof panels together while you do this shifting for alignment. Once you are satisfied that the panels are correctly aligned secure the panels by fastening four either 2.5” tek screws (for Deluxe Mahogany Roof), or 3.5” screws (for Metal Deluxe Roof) from each roof panel to each rafter below. If you are installing a metal roof you may secure the panels together before fastening down onto the rafters. You should repeat this step until all Corner Roof Panels are installed.
- Place each of the Center Roof Panels (Part #10e) into the appropriate openings in the roof, center on the long side of the Gazebo. Secure these roof panels in the same manner as the Corner Roof Panels.

10. Capping the Gazebo and Installing the Dome Glass

- If you are installing a metal roof you must install the Caps (Part #11) before installing the Dome Glass (Part #12). If you are installing a wood roof it is better to install the Dome Glass before installing the Caps.
 - Caps:
The CC Roof Trim (Part #11a) is only applicable if you are installing a metal roof. Snap it into place at the base of the cut corner roof panels as roof trim. Position the CC Cap (Part #11b) and the Corner Caps (Part #11c) over the relevant ridges of the roof and secure them to the Roof Panels with 1.5” tek screws (for Deluxe Mahogany Roof) or 1.5” colored cap screws (for Metal Deluxe Roof). Position the Side Caps (Part #11b) over the relevant gaps between the Roof Panels and secure them to the roof in the same manner as the Corner Caps. Please note that if you are installing a wood roof you need to caulk the gaps before installing the Roof Caps.
 - Dome Glass:
Place the Dome Glass on top of the Dome Box and secure it with twelve 3” screws evenly spaced around the Dome Box.

11. Installing Valence, Track Covers, Roof Support Blocks, and Floor Panels

- Place the Valence (Part #13) above the Entrance. The CC Rafter should fit into the slot of the Valence. Secure the Valence by fastening four 1.5” screws from the Valence to the 52.75” CC Header.
- Place the Track Covers (Part #14) over the metal tracks of the sliding windows. Secure the Track Covers by fastening 1.5” tek screws from each Track Cover to the Window Wall.
- Place the Roof Support Blocks (Part #15) between the underside of the Roof Panels and the top of the Gazebo Shell.
- Place the Floor Panels (Part #16) accordingly around the tub. The Precut Floor Panels (Part #16b) should be placed at the Entrance. The remaining Rectangular Floor Panels (Part #16a) should be placed accordingly leaving enough space for the hot tub. Please note that you may need to make use a skill saw to cut a 45 angle cut on any Rectangular Floor Panel which is to be placed in the curved corners of the gazebo.

Installation Notes

- Please note that these instructions are solely to be used as a guide to the installation of the gazebo. In areas where weather conditions may be more severe, additional screws and/or metal brackets should be used to increase the structural integrity of the gazebo. The installer should use his discretion to determine whether the gazebo is structurally sound after installation.