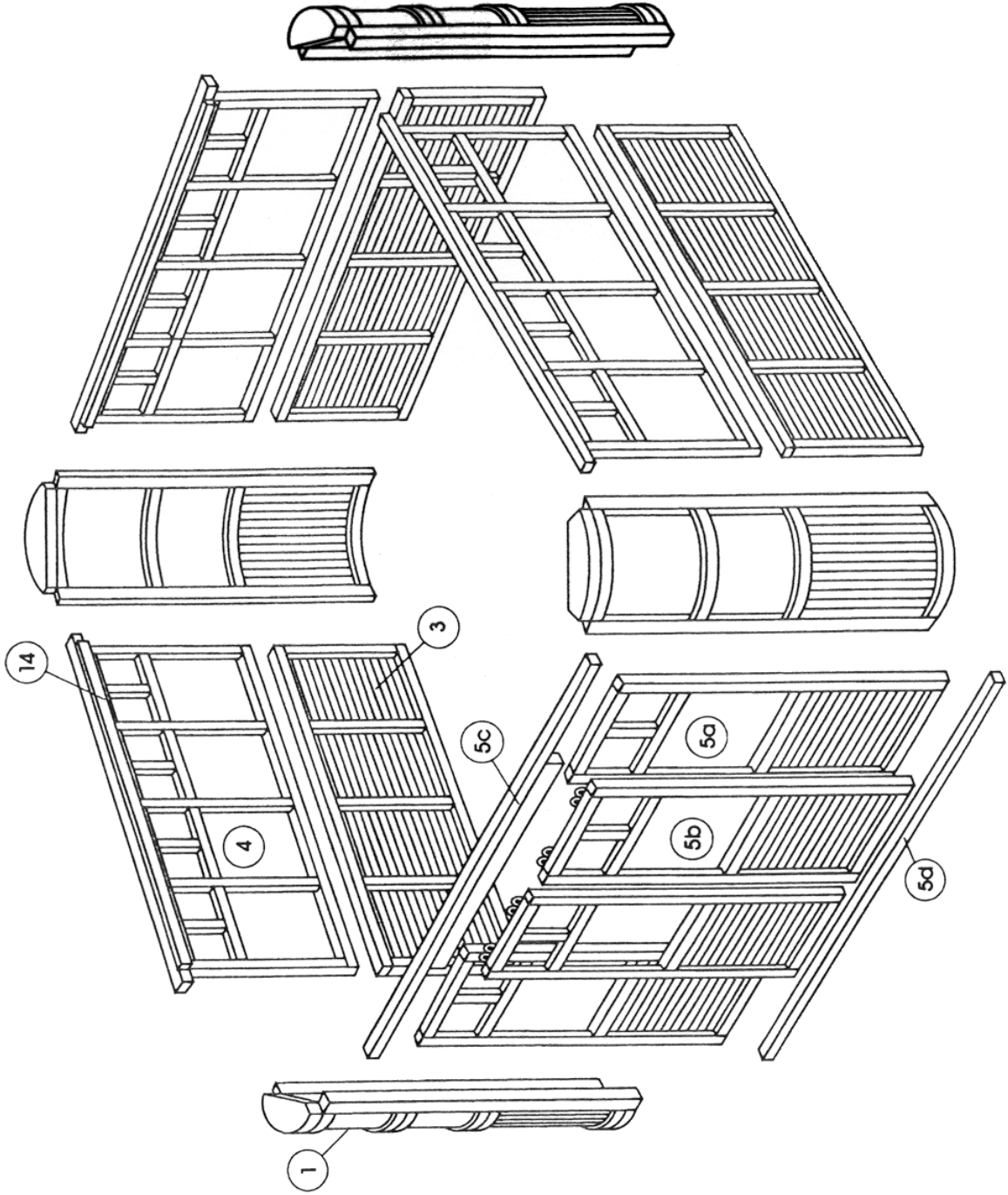


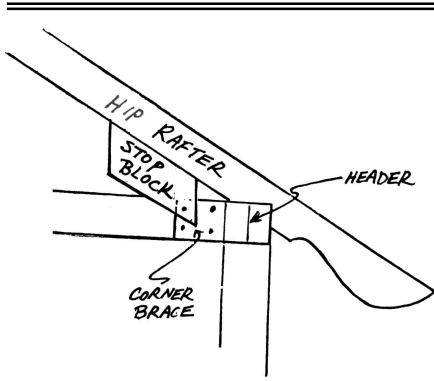
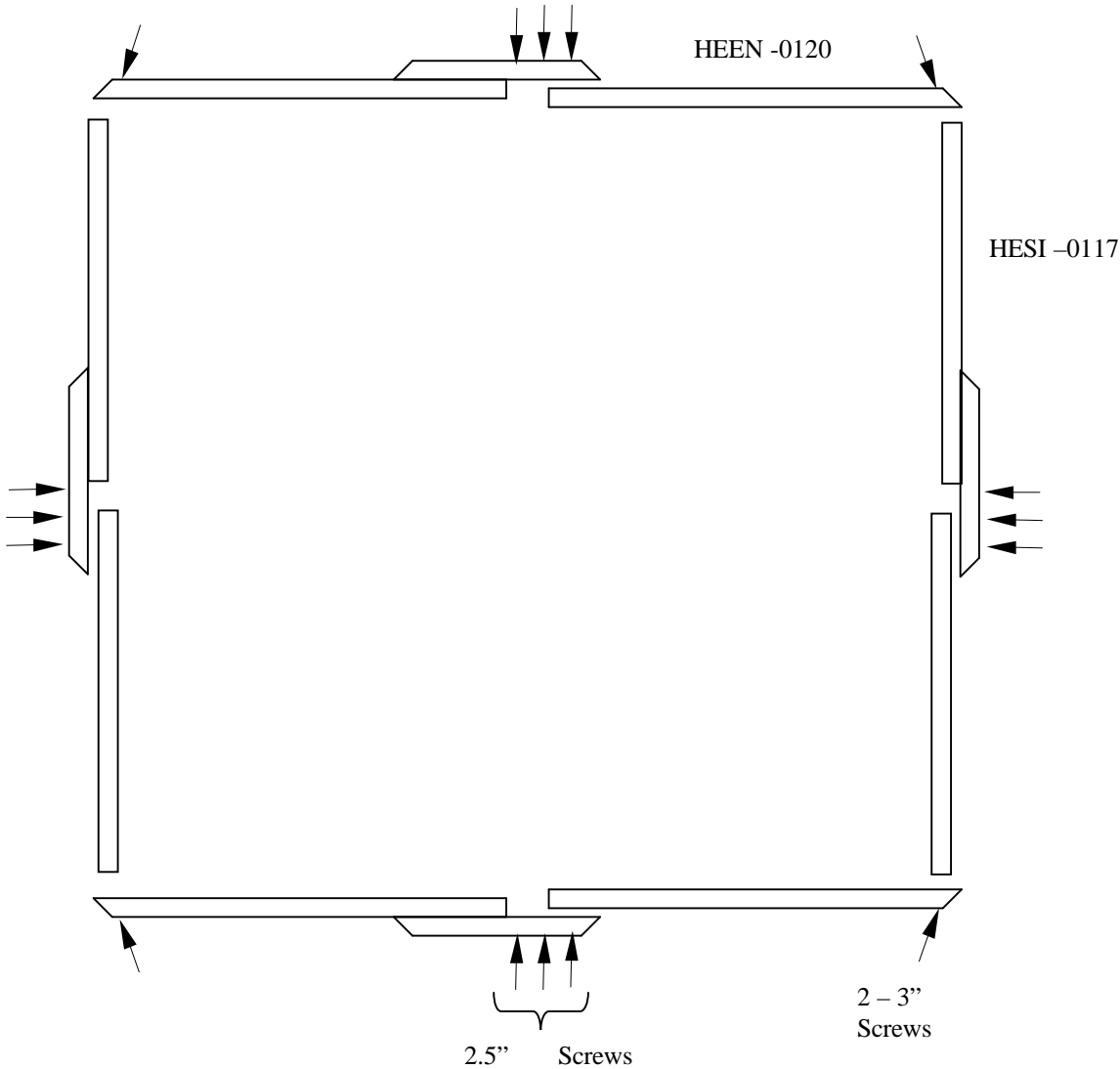
# SUPREME 1010 GAZEBO



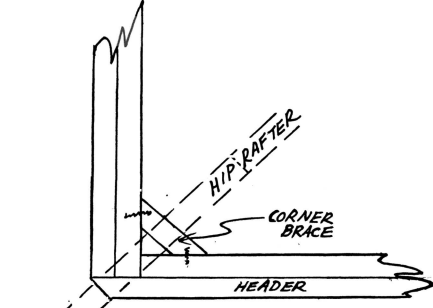
Item #	Part #	Description	Quantity
1	CORN-1525	Corner 15.25" Radius	4
2			n/a
3	SKIR-9300	Skirt Panel 93" wide	3
4	WIND-9300	Window Wall 93" wide	3
5a	FWFD-8150	Front Wall Fixed Door 81.5" high	2
5b	FWSD-7950	Front Wall Sliding Door 79.5" high	2
5c	FWTS-9600	Front Wall Top Support 96" length	1
5d	FWBS-9300	Front Wall Bottom Support 93" length	1
6a	HEEN-0120	End Header 120" length	2
6b	HESI-0117	Side Header 117" length	2
7	DOBO-4949	Dome Box 49" x 49" square	1
8a	RACO-5200	Common Rafter 52" length	4
8b	RAHI-7000	Hip Rafter 70" length	4
9			n/a
10a	PRCO-6800	Right Corner Roof Panel 68"	4
10	PLCO-6800	Left Corner Roof Panel 68"	4
11a	CACR-6225 (if cedar)	Corner Caps 62.25" length	4
11b	CASD-4525 (if cedar)	Side Caps 45.25" length	4
11a	MCCR-6450 (if metal)	Corner Caps 64.5" length	4
11b	MCSD-4825 (if metal)	Side Caps 48.25" length	4
12	DOGL-5252	Framed Dome Glass	1
13			n/a
14	TRCV-9300	Track Cover 93" length	4
15	SURO-0250	Roof Support	8
16a	FLOR-3242	Rectangular Floor Panel 32.5" x 42"	4
16b	FLOR-3232	Square Floor Panel 32.5" x 32.5"	1
17b	COBR-0000	Corner Brace	4
17c	STOP-0000	Stop Block	4
18	Hardware Box		1



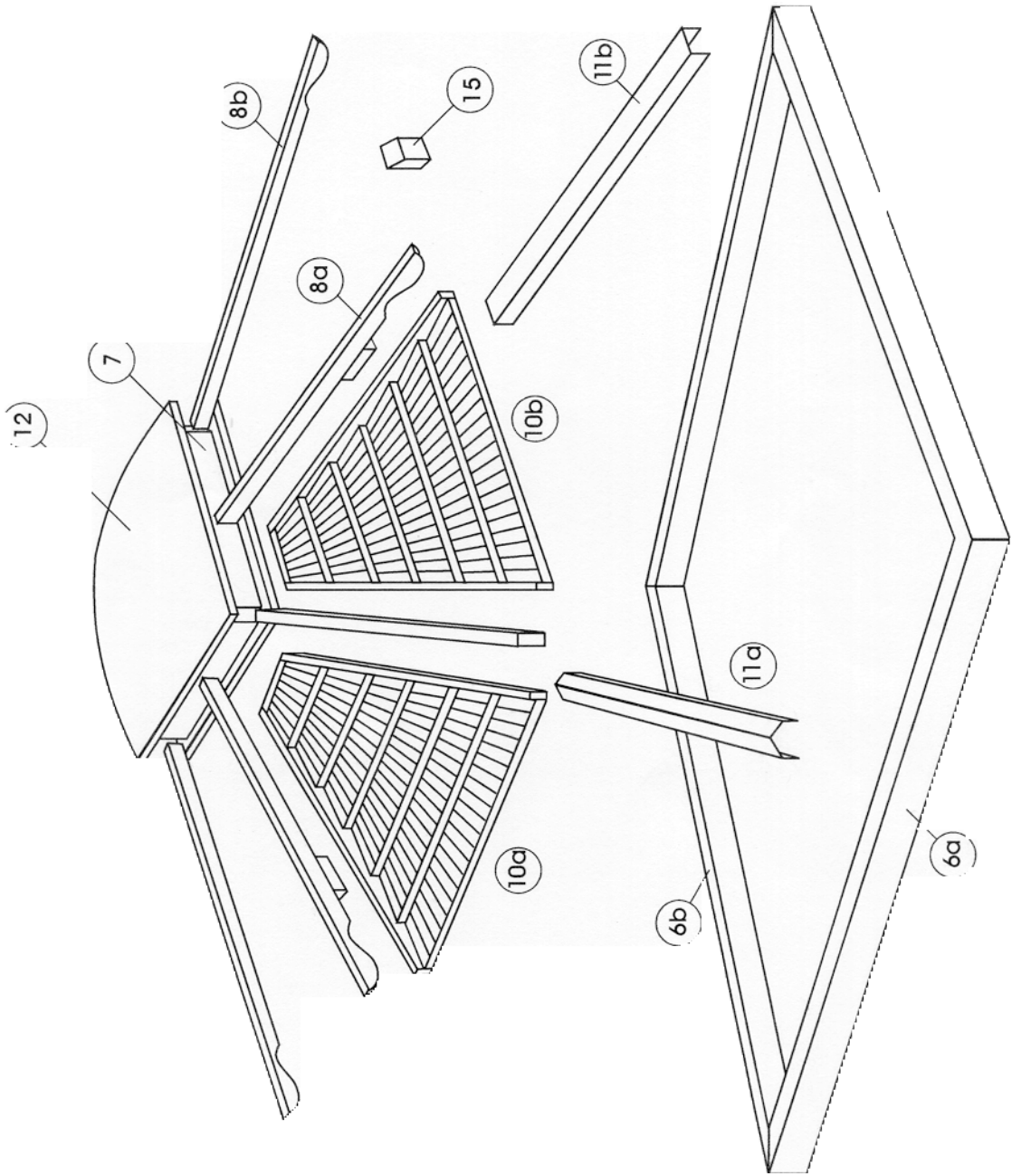
# 1010 Header System

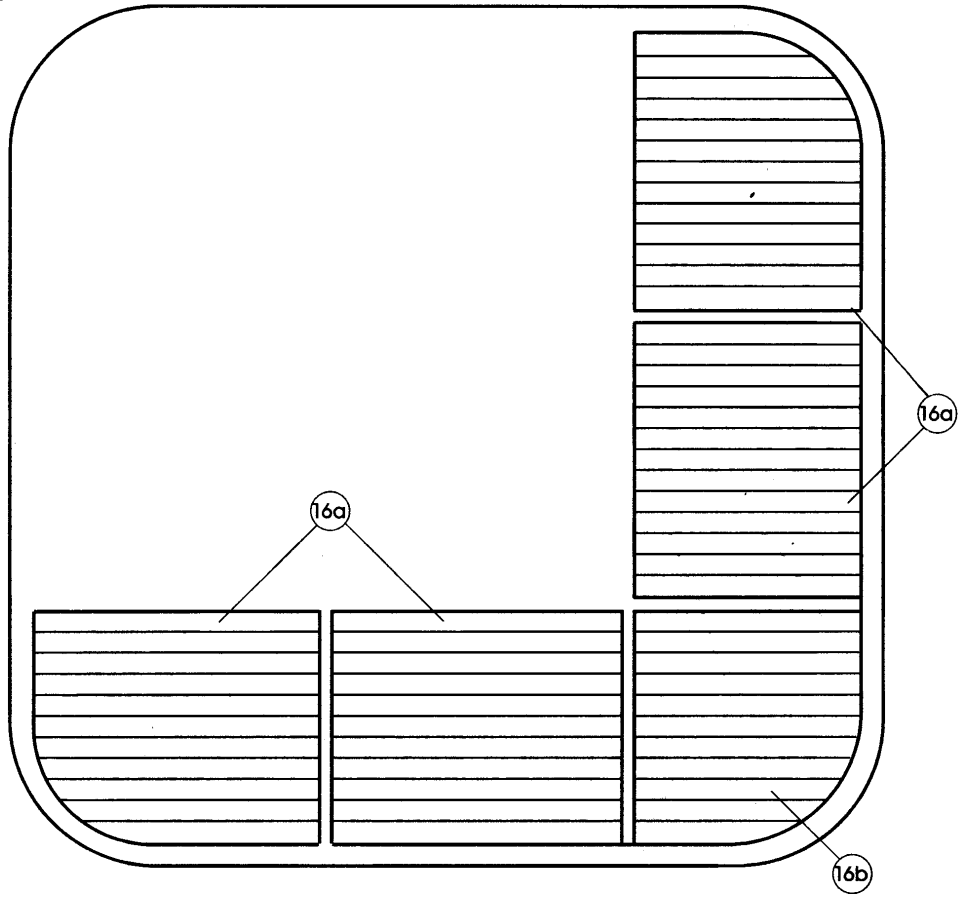


Stop Block Assembly



Corner Brace Assembly





---

**SUPREME 1010**  
**INSTALLATION INSTRUCTIONS**

**PART A – GAZEBO SHELL**

**1. Installing three Walls of the Gazebo**

- On a level surface, position and align two Corners (Part #1) approximately 93” apart. With both Corners in place, hang a Window Wall (Part #4) between each of the two Corners.
- Secure the Window Wall to the two Corners. Using 2.5” screws, fasten three screws from the Window Wall to each Corner.
- Position and align the third Corner and hang the second Window Wall between the second Corner and the third Corner.
- Secure the Window Wall to the Corners by fastening three 2.5” screws from the Window Wall to each Corner.
- Position and align the fourth Corner and hang the third Window Wall between the third Corner and the fourth Corner.
- Secure the Window Wall to the Corners by fastening three 2.5” screws from the Window Wall to each Corner.
- Position and align each Skirt Panel (Part #3) below each Window Wall and between two Corners. Secure each Skirt Panel by fastening two 2.5” screws to each Corner and by fastening four 2.5” screws to each Window Wall.
- You should have three sides of the gazebo shell installed at this time.

**2. Assembling and Installing the Front Wall Frame**

- The Front Wall Frame consists of four pieces: two Fixed Doors (Part #5a), the Top Support (Part #5c), and the Bottom Support (Part #5d).
- Lay the Fixed Walls with exterior side down flat on a level surface and space them apart.
- Position and align the Bottom Support at the base of the Fixed Walls. The ends of the Bottom Support should be flush with the side edges of the Fixed Walls and the exterior edge of the Bottom Support should be flush with the exterior edge of the Fixed Walls.
- Secure the Bottom Support to the Fixed Walls by fastening three 2.5” screws from the Bottom Support to each Fixed Wall.
- Position and align the Top Support at the top of the Fixed Walls. The Top Support’s bracket should fit between the Fixed Walls and Top Support’s J track should face the interior side.
- Secure the Top Support to the Fixed Walls by fastening three 2.5” screws from the Top Support to each Fixed Wall.
- Position and align the Front Wall Frame between the two Corners on the open side of the gazebo.
- Secure the Front Wall Frame to each Corner by fastening five 2.5” screws from the Front Wall Frame to the each Corner.
- Install the Sliding Doors (Part #5b) onto the Front Wall Frame by hanging the Sliding Doors on the Top Support’s J track and fitting the pegs of the Sliding Doors into the dado of the Bottom Support.
- If required, adjust the rollers on the Sliding Doors to ensure the Sliding Doors are evenly hung.

**3. “Squaring” the Gazebo Shell**

- The Gazebo Shell is now assembled. At this point you need to “square” the Gazebo Shell. In order to “square” the Gazebo Shell, the diagonal distances between the interior opposite corners must be identical. If the distances are not identical you may need to shift one of the sides slightly to ensure that the Gazebo Shell is “square”.

## PART B: ASSEMBLING AND INSTALLING THE HEADERS

### 4. Assembling the Headers

- Each of the End and Side Headers (Part #6a, #6b) comes in two pieces (one piece with a jointing piece and one without). Assemble each of these Headers by fastening 2.5" screws in the marked areas.

### 5. Installing the Headers and Squaring the Gazebo

- Lay the four assembled Headers on the ground next to the gazebo. The Headers should be aligned so that they form a square. Join the Headers together by fastening two 2.5" screws from one Header to the next. When fastening the headers, screw diagonally from the top of the 45-degree cut, if you do not, there is not enough surface area for the screw to secure the headers safely.
- Once all the Headers are connected to one another they form the Header Assembly. This Header Assembly should be placed on top of the Gazebo Shell.
- Important Note: The Gazebo Shell may have to be shifted slightly so that the Header Assembly fits proportionately on top of the Gazebo Shell.
- Fasten the Header Assembly to the Gazebo Shell by fastening twelve 3.5" screws from the Header Assembly to the Gazebo Shell.

## PART C: ROOF FRAME, ROOF PANELS AND CAPPING THE GAZEBO

### 6. Assembling and Installing the Roof Frame

- Lay the Dome Box (Part #7) upside down so that the lip of the box is on top.
- Position and align a Common Rafter (Part #8a) to the center of each side of the Dome Box in the marked areas. (Note: the end of each Common Rafter should be flush with the side of the Dome Box and the bottom of each Common Rafter should be touching the lip of the Dome Box). Secure each Common Rafter by fastening two 3" screws from the inside of the Dome Box through to the Common Rafter situated on the outside of the Dome Box.
- Flip the Dome Box with attached Common Rafters right side up and place it on top of the Gazebo.
- Position and align each Hip Rafter (Part #8b) to each corner of the Dome Box. Note that the distance between the top of the Hip Rafter to the top of the Dome Box should be equal to the distance between the top of the Common Rafter to the top of the Dome Box. Secure each Hip Rafter by fastening two 3" screws from the inside of the Dome Box through to the Hip Rafter situated on the outside of the Dome Box.
- Now that all Rafters are attached to form the Roof Frame, you may need to shift the ends of the Rafters so that they fit proportionately onto the Gazebo. In other words, the Hip Rafters should fit dead center on the Corners and the Common Rafters should fit at the marked areas.
- Once you are satisfied that all Rafters are correctly positioned, secure all Rafters to the Gazebo by fastening one 4" screw from each Rafter to the Gazebo

### 7. Installing the Roof Panels to the Roof Frame

- Position and align a Right Corner Roof Panel (Part #10a) and a Left Corner Roof Panel (Part#10b) so that one edge is centered on the Common Rafter, and one edge is centered on the Hip Rafter. You may need to shift the Panels a little to assure the correct alignment. If you are installing a metal roof we suggest using C clamps to hold the roof panels together while you do this shifting for alignment. Once you are satisfied that the panels are correctly aligned secure the panels by fastening four either 2.5" tek screws (for Deluxe Mahogany Roof), or 3" tek (for Super Deluxe T&G Roof), or 3.5" screws (for Metal Deluxe Roof) from each roof panel to each rafter below. If you are installing a metal roof you may secure the

panels together before fastening down onto the rafters. You should repeat this step until all Corner Roof Panels are installed.

#### 8. Capping the Gazebo and Installing the Dome Glass

- If you are installing a metal roof you must install the Caps (Part #11) before installing the Dome Glass (Part #12). If you are installing a wood roof it is better to install the Dome Glass before installing the Caps.
  - Caps:  
Position the Corner Caps (Part #11a) over the relevant ridges of the roof and secure them to the Roof Panels with 1.5" tek screws (for Deluxe Mahogany Roof) or 1.5" colored cap screws (for Metal Deluxe Roof). Position the Side Caps (Part #11b) over the relevant gaps between the Roof Panels and secure them to the roof in the same manner as the Corner Caps. Please note that if you are installing a wood roof you need to caulk the gaps before installing the Roof Caps.
  - Dome Glass:  
Place the Dome Glass on top of the Dome Box and secure it with twelve 3" screws evenly spaced around the Dome Box.

#### 9. Installing Track Covers, Roof Support and Stop Blocks, Corner Braces and Floor Panels

- Place the Track Covers (Part #14) over the metal tracks of the sliding windows. Secure the Track Covers by fastening 1.5" tek screws from each Track Cover to the Window Wall.
- Place the Roof Support Blocks (Part #15) between the underside of the Roof Panels and the top of the Gazebo Shell.
- Place the Floor Panels (Part #16) accordingly around the tub. Please note that you may need to use a skill saw to cut a 45 degree cut on Floor Panel which are to be placed in the curved corners of the gazebo.
- Position each Corner Brace (Part #17b) into the corner of the Header Assembly. Secure each Corner Brace with two 2.5" screws. Position each Stop Block (Part #17c) flush with each Hip Rafter and adjacent to each Corner Brace. Secure each Stop Block to each Hip Rafter with two 3.5" screws.

#### Installation Notes

- Please note that these instructions are solely to be used as a guide to the installation of the gazebo. In areas where weather conditions may be more severe, additional screws and/or metal brackets should be used to increase the structural integrity of the gazebo. The installer should use his discretion to determine whether the gazebo is structurally sound after installation.