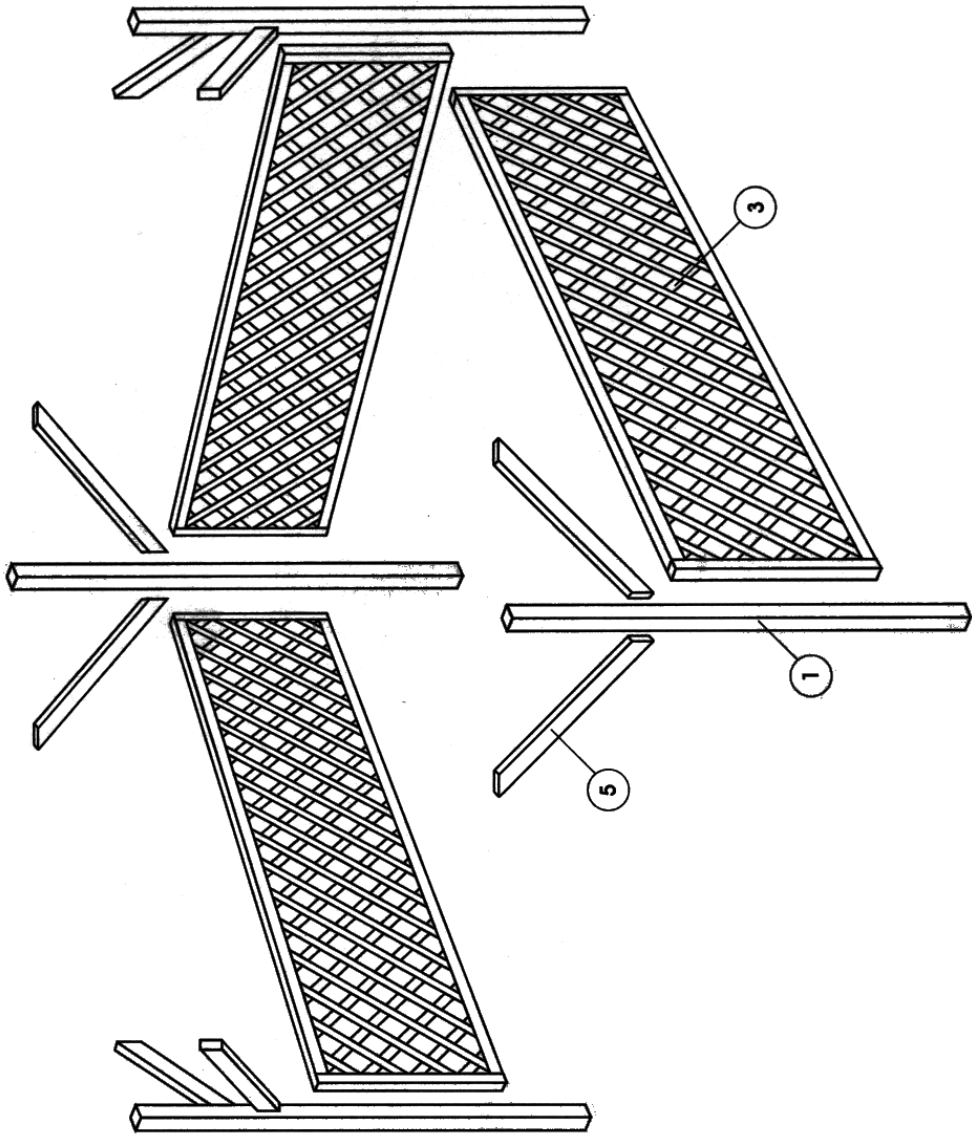


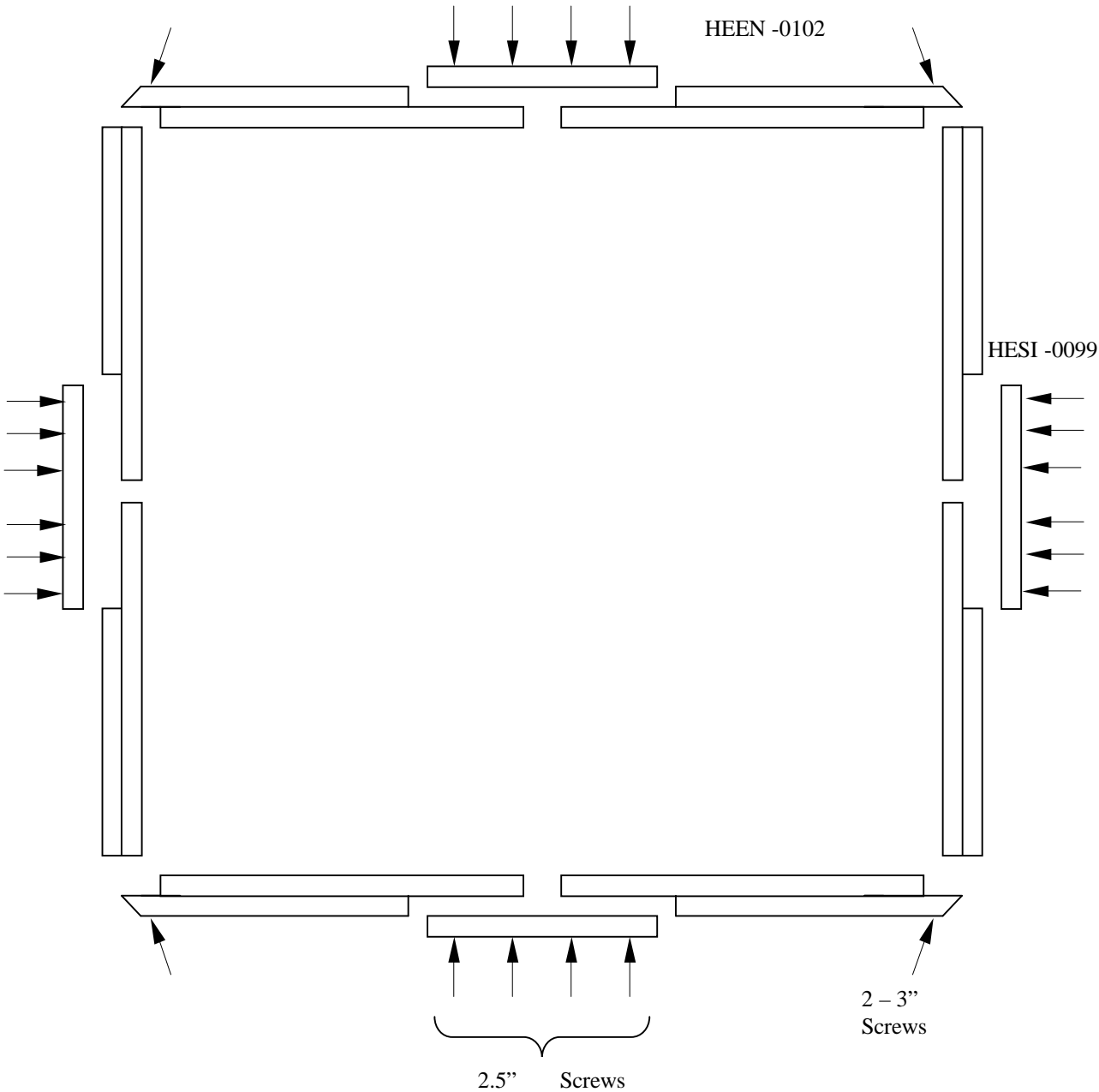
LAGUNA GAZEBO

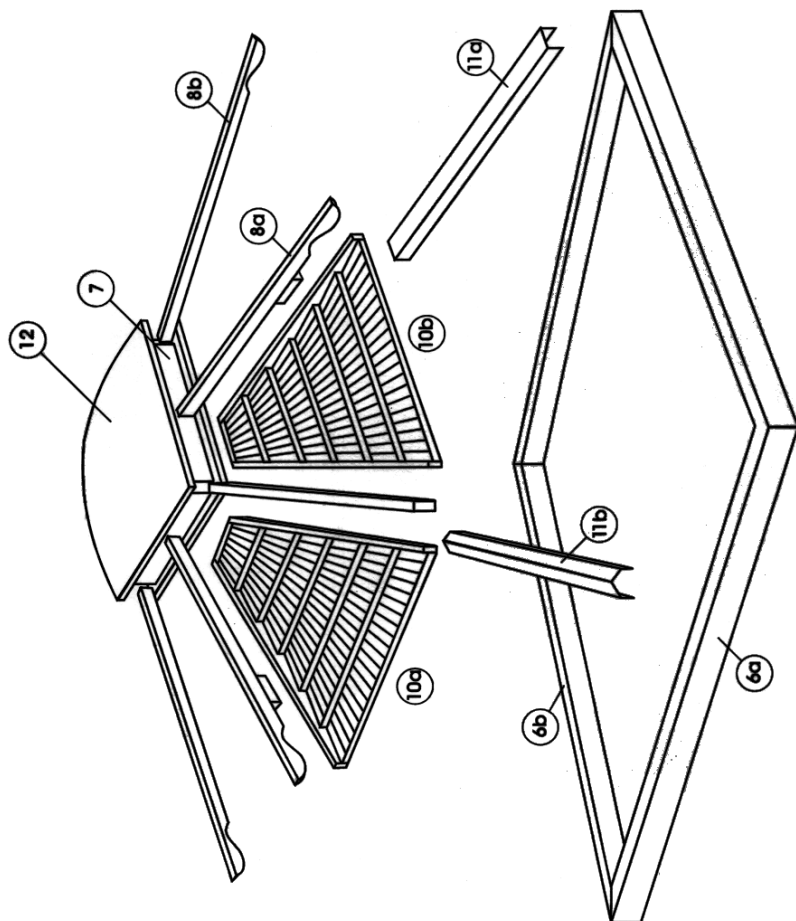


Item #	Part #	Description	Quantity
1	CORN-0250	Corner Post	4
2			n/a
3	LAMD-9624	Lattice Wall 96'x24'	2
4			n/a
5	HEBR-0000	Header Braces	8
6a	HEEN-0102	End Header 102" length	2
6b	HESI-0099	Side Header 99" length	2
7	DOBO-3333	Dome Box 33"x33" square	1
8a	RACO-4828	Common Rafter 48" length	4
8b	RAHI-6475	Hip Rafter 64.75" length	4
9			n/a
10a	PRCO-5800	Right Corner Roof Panel 58"	4
10b	PLCO-5800	Left Corner Roof Panel 58"	4
11a	CACR- 5975 (if cedar)	Corner Caps 59.75" length	4
11b	CASD-4325 (if cedar)	Side Caps 43.25" length	4
11a	MCCR-6225 (if metal)	Corner Caps 62.25" length	4
11b	MCSD-4675 (if metal)	Side Caps 46.75" length	4
12	DOGL-3636	Framed Dome Glass	1
13	Hardware Box		n/a



Laguna Header System





LAGUNA 800 MODEL

INSTALLATION INSTRUCTIONS

PART A – GAZEBO SHELL

1. Installing the Walls of the Gazebo

- On a level surface, position and align two Posts (Part #1) apart. Place a Lattice Panel (Part #3) between the two Posts. Secure the Lattice Panel to both Posts by fastening four 2.5” screws from the Lattice Panel to each Post.
- On a level surface, attach a second Lattice Panel to another post by fastening four 2.5” screws from the Lattice Panel to the Post. Repeat this step so that you have three walls assembled (one wall with two posts and two other walls with only one post).
- Raise the wall with two posts and place a second wall adjacent to the first wall at a 90 degree angle. Secure the two walls together by fastening four 2.5” screws from the Lattice Panel of the second wall to the Post of the first wall.
- Raise the third wall and attach it to the two standing wall by fastening four 2.5” screws from the Lattice Panel of the third wall to the Post of the second wall.
- You should have three of the gazebo walls erected. At this point you need to “square” the Gazebo Shell. In order to “square” the Gazebo Shell, the diagonal distances between the interior opposite corners must be identical. If the distances are not identical you may need to shift one of the sides slightly to ensure that the Gazebo Shell is “square”.

PART B: ASSEMBLING AND INSTALLING THE HEADERS

2. Assembling the Headers

- Each of the End and Side Headers (Part #6a, #6b) comes in three pieces (two longer pieces and a shorter joining piece). Assemble each of these Headers by fastening 2.5” screws in the marked areas.

3. Installing the Headers

- Lay the four assembled Headers on the ground next to the gazebo. The Headers should be aligned so that they form a square. Join the Headers together by fastening two 2.5” screws from one Header to the next.
- Once all the Headers are connected to one another they form the Header Assembly. This Header Assembly should be placed on top of the Gazebo Shell.
- Fasten the Header Assembly to the Gazebo Shell by fastening two 4” screws from the Header Assembly to the top of each Post.

4. Installing the Braces

- Position each Brace (Part #5) between each Header and Post so that the Brace forms a 45 degree angle with both the Header and the Post. Secure the Brace by fastening two 3” screws from the Brace to both the Header and the Post. Repeat this step until all eight Braces are installed.

PART C: ROOF FRAME, ROOF PANELS AND CAPPING THE GAZEBO

5. Assembling and Installing the Roof Frame

- Lay the Dome Box (Part #7) upside down so that the lip of the box is on top.
- Position and align a Common Rafter (Part #8a) to the center of each side of the Dome Box in the marked areas. (Note: the end of each Common Rafter should be flush with the side of the

Dome Box and the bottom of each Common Rafter should be touching the lip of the Dome Box). Secure each Common Rafter by fastening two 3" screws from the inside of the Dome Box through to the Common Rafter situated on the outside of the Dome Box.

- Flip the Dome Box with attached Common Rafters right side up and place it on top of the Gazebo.
- Position and align each Hip Rafter (Part #8b) to each corner of the Dome Box. Note that the distance between the top of the Hip Rafter to the top of the Dome Box should be the same as the distance between the top of the Common Rafter to the top of the Dome Box. Secure each Hip Rafter by fastening two 3" screws from the inside of the Dome Box through to the Hip Rafter situated on the outside of the Dome Box.
- Now that all Rafters are attached to form the Roof Frame, you may need to shift the ends of the Rafters so that they fit proportionately onto the Gazebo. In other words, the Hip Rafters should fit dead center on the Corners and the Common Rafters should fit at the marked areas.
- Once you are satisfied that all Rafters are correctly positioned, secure all Rafters to the Gazebo by fastening one 4" screws from each Rafter to the Gazebo

6. Installing the Roof Panels to the Roof Frame

- Position and align a Right Corner Roof Panel (Part #10a) and a Left Corner Roof Panel (Part#10b) so that one edge is centered on the Common Rafter, and one edge is centered on the Hip Rafter. You may need to shift the Panels a little to assure the correct alignment. If you are installing a metal roof we suggest using C clamps to hold the roof panels together while you do this shifting for alignment. Once you are satisfied that the panels are correctly aligned secure the panels by fastening four either 2.5" tek screws (for Deluxe Mahogany Roof), or 3" tek (for Super Deluxe T&G Roof), or 3.5" screws (for Metal Deluxe Roof) from each roof panel to each rafter below. If you are installing a metal roof you may secure the panels together before fastening down onto the rafters. You should repeat this step until all Corner Roof Panels are installed.

7. Capping the Gazebo and Installing the Dome Glass

- If you are installing a metal roof you must install the Caps (Part #11) before installing the Dome Glass (Part #12). If you are installing a wood roof it is better to install the Dome Glass before installing the Caps.
 - Caps:
Position the Corner Caps (Part #11a) over the relevant ridges of the roof and secure them to the Roof Panels with 1.5" tek screws (for Deluxe Mahogany Roof) or 1.5" colored cap screws (for Metal Deluxe Roof). Position the Side Caps (Part #11b) over the relevant gaps between the Roof Panels and secure them to the roof in the same manner as the Corner Caps. Please note that if you are installing a wood roof you need to caulk the gaps before installing the Roof Caps.
 - Dome Glass:
Place the Dome Glass on top of the Dome Box and secure it with twelve 3" screws evenly spaced around the Dome Box.

Installation Notes

- Please note that these instructions are solely to be used as a guide to the installation of the gazebo. In areas where weather conditions may be more severe, additional screws and/or metal brackets should be used to increase the structural integrity of the gazebo. The installer should use his discretion to determine whether the gazebo is structurally sound after installation.