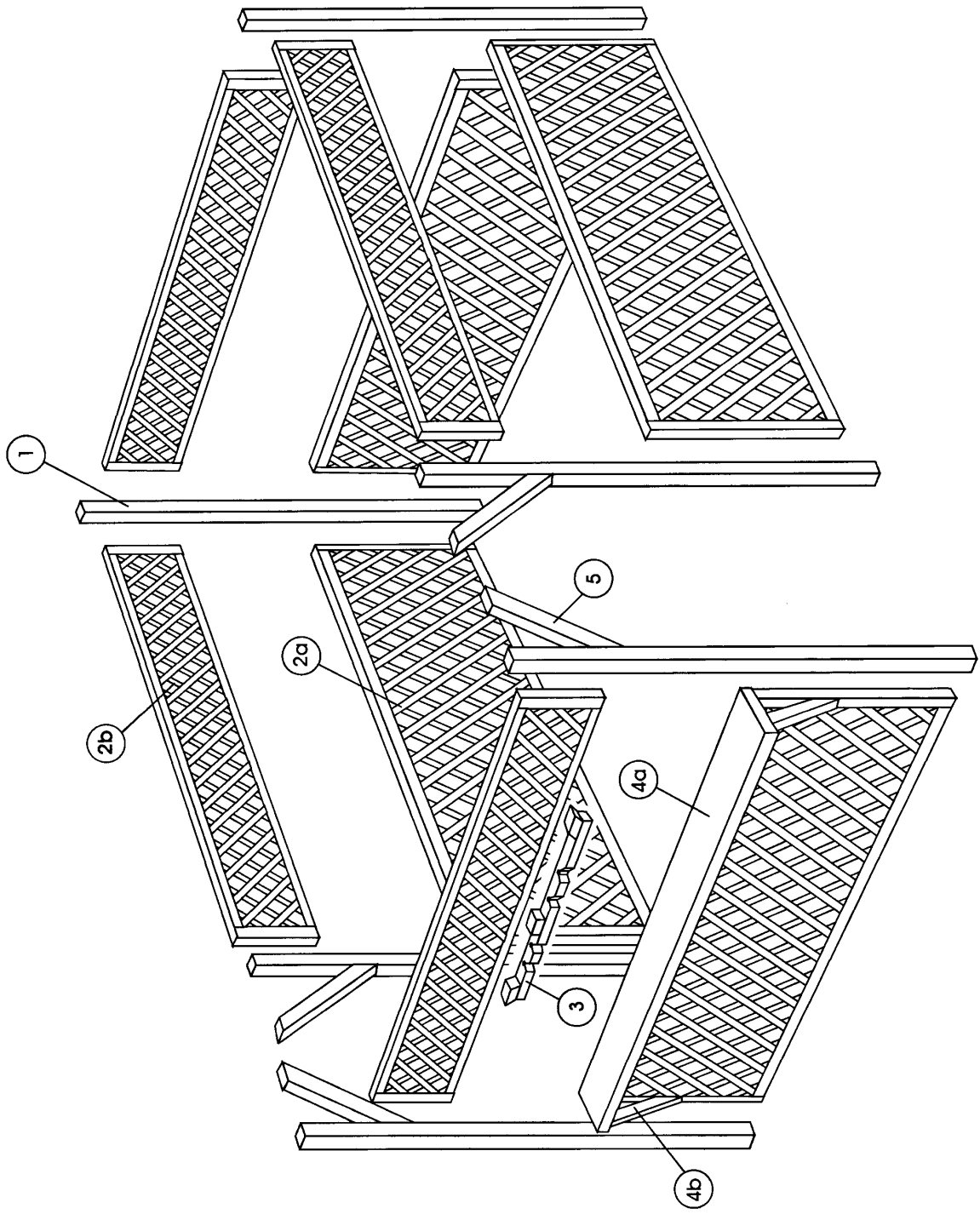


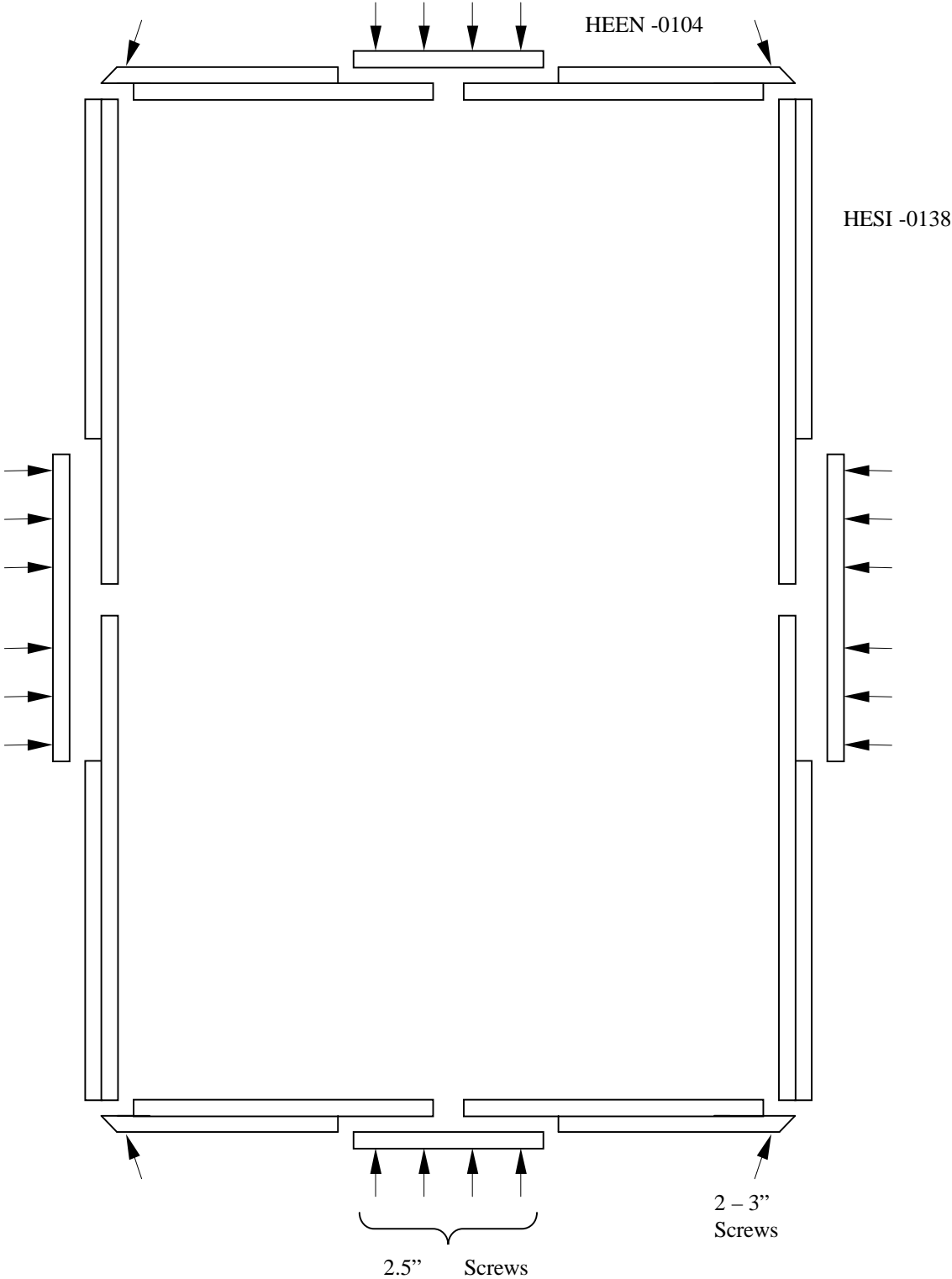
BIG LAGUNA GAZEBO

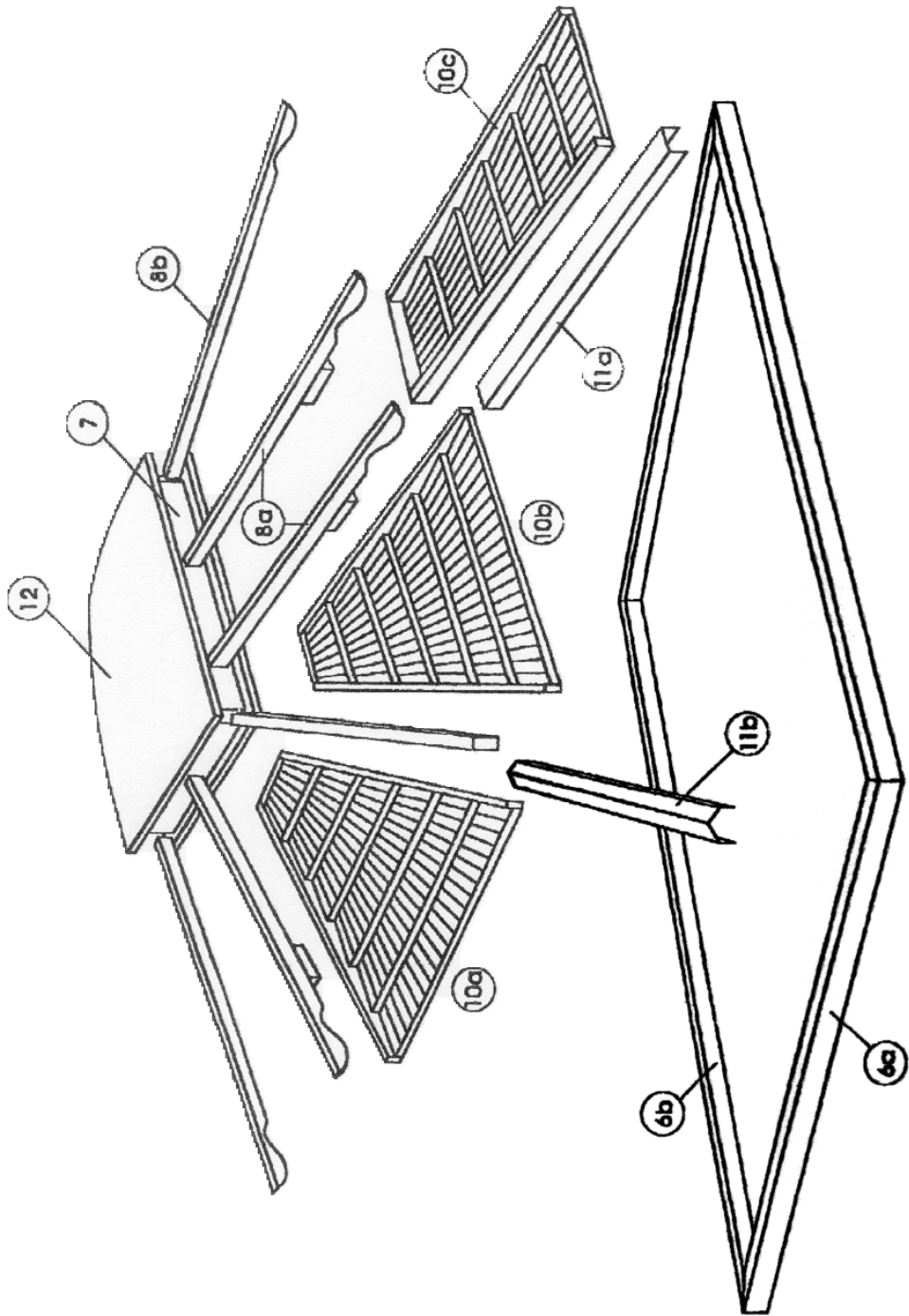


Item #	Part #	Description	Quantity
1	CORN-0250	Corner Post	6
2a	LATP-9812	Lattice Wall 98"x12"	4
2b	LABM-9836	Lattice Wall 98"x36"	4
3	WINE-0000	Wine Rack	1
4a	BART-9800	98" Bar	1
4b	BABR-0000	Bar Braces	2
4c	BAST-0000	Stools	3
5	HEBR-0000	Header Braces	4
6a	HEEN-0104	End Header 104" length	2
6b	HESI-0141	Side Header 141" length	2
7	DOBO-3373	Dome Box 33"x73" square	1
8a	RACO-4828	Common Rafter 48" length	6
8b	RAHI-6475	Hip Rafter 64.75" length	4
9			n/a
10a	PRCO-5800	Right Corner Roof Panel 58"	4
10b	PLCO-5800	Left Corner Roof Panel 58"	4
10c	PCSQ-4045	Center Square Roof Panel	2
11a	CACR- 5975 (if cedar)	Corner Caps 59.75" length	4
11b	CASD-4325 (if cedar)	Side Caps 43.25" length	6
11a	MCCR-6225 (if metal)	Corner Caps 62.25" length	4
11b	MCSD-4675 (if metal)	Side Caps 46.75" length	6
12	DOGL-3676	Framed Dome Glass	1
13	FLOR-2440	24"x40" Floor Panels	4
14	Hardware Box		1



Big Laguna Header System





BIG LAGUNA MODEL

INSTALLATION INSTRUCTIONS

PART A – GAZEBO SHELL

General Comment: The recommended sequence of installing this gazebo shell is to erect the Back and Side Walls first. Then to attach the Header Assembly. Finally, to attach the Front Lattice Wall and the Header Braces.

1. Assembling the Back Wall and Side Walls

- Start with the Back Wall. On a level surface, position and align two Posts (Part #1) 98” apart. Place one Large Lattice Panel (Part #2a) and one Small Lattice Panel (Part #2b) between the Posts. Make sure the bottom of the Large Lattice Panel is flush with the bottom of the Posts and the top of the Small Lattice Panel is flush with the top of the Posts. Secure each Large Lattice Panel to each Post with four 2.5” screws and secure each Small Lattice Panel to each Post with two 2.5” screws.
- Now we need to assemble the Side Walls prior to attaching them to the Back Wall. On a level surface lay one Large Lattice Panel and one Small Lattice Panel adjacent to one Post. Make sure the bottom of the Large Lattice Panel is flush with the bottom of the Post and the top of the Small Lattice Panel is flush with the top of the Post. Secure the Large Lattice Panel to the Post with four 2.5” screws and secure the Small Lattice Panel to the Post with two 2.5” screws. Repeat this step so that you have two assembled Side Walls.

2. Attaching the Side Walls to the Back Wall

- Raise and position the Back Wall and one of the Side Walls so that they are at a 90 degree angle from one another. Secure the Large Lattice Panel and Small Lattice Panel of the Side Wall to the Post of the Back Wall. Use four 2.5” screws to secure the Large Lattice Panel and two 2.5” screws to secure the Small Lattice Panel.
- Repeat this step for the other Side Wall to attach it to the other post of the Back Wall. Now the three sides should be able to stand by itself in a “U shape”.

3. Assembling the Headers

- Each of the End and Side Headers (Part #6a, #6b) comes in three pieces (two longer pieces and a shorter joining piece). Assemble each of these Headers by fastening 2.5” screws in the marked areas.

4. Installing the Headers

- Lay the four assembled Headers on the ground next to the gazebo. The Headers should be aligned so that they form a rectangle with an interior dimension of 98” x 138”. Join the Headers together by fastening two 2.5” screws from one Header to the next.
- Once all the Headers are connected to one another they form the Header Assembly. This Header Assembly should be placed on top of the Gazebo Shell. The Header Assembly should be approximately flush with interior side of each of the Back and Side Walls. The Header Assembly should overhang on the front side of the gazebo by approximately 40”.
- Fasten the Header Assembly to the Gazebo Shell by fastening two 4” screws from the Header Assembly to the top of each of the four Posts.

5. Assembling the Front Wall

- On a level surface, position and align two Posts 98” apart. Place one Large Lattice Panel and one Small Lattice Panel between the Posts. Make sure the bottom of the Large Lattice Panel is flush with the bottom of the Posts and the top of the Small Lattice Panel is flush with the

top of the Posts. Secure each Large Lattice Panel to each Post with four 2.5" screws and secure each Small Lattice Panel to each Post with two 2.5" screws.

6. Attaching the Front Wall and Header Braces to the Gazebo

- Raise the Front Wall and position it below the front end of the Header Assembly. Make sure the Posts are aligned so that the interior of the Posts are flush with the interior of the Header Assembly.
- Secure the Header Assembly to the Front Wall by fastening two 4" screws from the Header Assembly to the top of each of the two Posts.
- Position the Header Braces (Part #5) at 45 degree angle to the Header Assembly as shown in the illustration. Secure each of the Header Braces by fastening two 3" screws from each header Brace to each Post and by fastening two 3" screws to the Header Assembly.

7. Squaring and Stabilizing the Gazebo

- At this point you should check to confirm that the gazebo is "square". You may check this by confirming that the diagonal distances between corners is identical. Once you have confirmed this you should further stabilize the gazebo by securing four 3.5" screws from the Header Assembly to the top of each of the Small Lattice Panels.

PART B: ROOF FRAME, ROOF PANELS AND CAPPING THE GAZEBO

8. Assembling and Installing the Roof Frame

- Lay the Dome Box (Part #7) upside down so that the lip of the box is on top.
- Position and align two Common Rafters (Part #8a) on each long side of the Dome Box and one Common Rafter on each short side of the Dome Box in the marked areas. Note that the end of each Common Rafter should be flush with the side of the Dome Box and the bottom of each Common Rafter should be touching the lip of the Dome Box. Secure each Common Rafter by fastening two 3" screws from the inside of the Dome Box through to the Common Rafter situated on the outside of the Dome Box.
- Flip the Dome Box with attached Common Rafters right side up and place it on top of the Gazebo.
- Position and align each Hip Rafter (Part #8b) to each corner of the Dome Box. Note that the distance between the top of the Hip Rafter to the top of the Dome Box should be the same as the distance between the top of the Common Rafter to the top of the Dome Box. Secure each Hip Rafter by fastening two 3" screws from the inside of the Dome Box through to the Hip Rafter situated on the outside of the Dome Box.
- Now that all Rafters are attached to form the Roof Frame, you may need to shift the ends of the Rafters so that they fit proportionately onto the Gazebo. In other words, the Hip Rafters should fit dead center on the Corners and the Common Rafters should fit at the marked areas.
- Once you are satisfied that all Rafters are correctly positioned, secure all Rafters to the Gazebo by fastening one 4" screws and one 3.5" from each Rafter to the Gazebo

9. Installing the Roof Panels to the Roof Frame

- Position and align a Right Corner Roof Panel (Part #10a) and a Left Corner Roof Panel (Part#10b) so that one edge is centered on the Common Rafter, and one edge is centered on the Hip Rafter. You may need to shift the Panels a little to assure the correct alignment. Once you are satisfied that the panels are correctly aligned secure the panels by fastening either four 2.5" tek screws (for Deluxe Mahogany Roof) or 3" tek screws (for Super Deluxe T&G Roof) from each roof panel to each of the rafters below. You should repeat this step until all Corner Roof Panels are installed.

- Place each of the Center Roof Panels (Part #10c) into the appropriate opening in the roof, center on the long side of the Gazebo. Secure these roof panels by fastening screws in the same manner as for the Corner Roof Panels above.

10. Capping the Gazebo and Installing the Dome Glass

- Place the Dome Glass (Part #12) on top of the Dome Box and secure it with twelve 3” screws evenly spaced around the Dome Box.
- Position the Corner Caps (Part #11b) over the relevant ridges of the roof and secure them to the Roof Panels with approximately four 1.5” Tek screws. Position the Side Caps (Part #11a) over the relevant gaps between the Roof Panels and secure them to the roof by fastening with 1.5” Tek screws. Please note that to improve leak resistance you need to caulk the gaps before installing the Roof Caps.

PART C: ACCESSORIES: WINE RACK, BAR AND STOOLS

2. Assembling and Installing the Wine Rack and Bar

- Position and align the Wine Rack (Part #3) in the desired location along and on the underside of the Small Lattice Panel of the Front Wall. Secure the Wine Rack by fastening six 3 “ screws from the Wine Rack to the underside of the Small Lattice Panel.
- Position the Bar (Part #4a) so that the edge of the Bar is on top of the Large Lattice Panel of the Front Wall. Secure the Bar by fastening five 2.5” screws from the Bar to the Large Lattice Panel.
- Place both Bar Braces (Part #4b) between the Bar and the Post. Both Braces should be secured at 45 degrees with two 3.5” screws.
- Place the Stools (Part #4c) at your leisure adjacent to the Bar.

Installation Notes

- Please note that these instructions are solely to be used as a guide to the installation of the gazebo. In areas where weather conditions may be more severe, additional screws and/or metal brackets should be used to increase the structural integrity of the gazebo. The installer should use his discretion to determine whether the gazebo is structurally sound after installation.